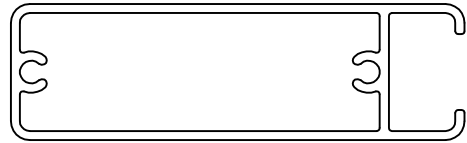


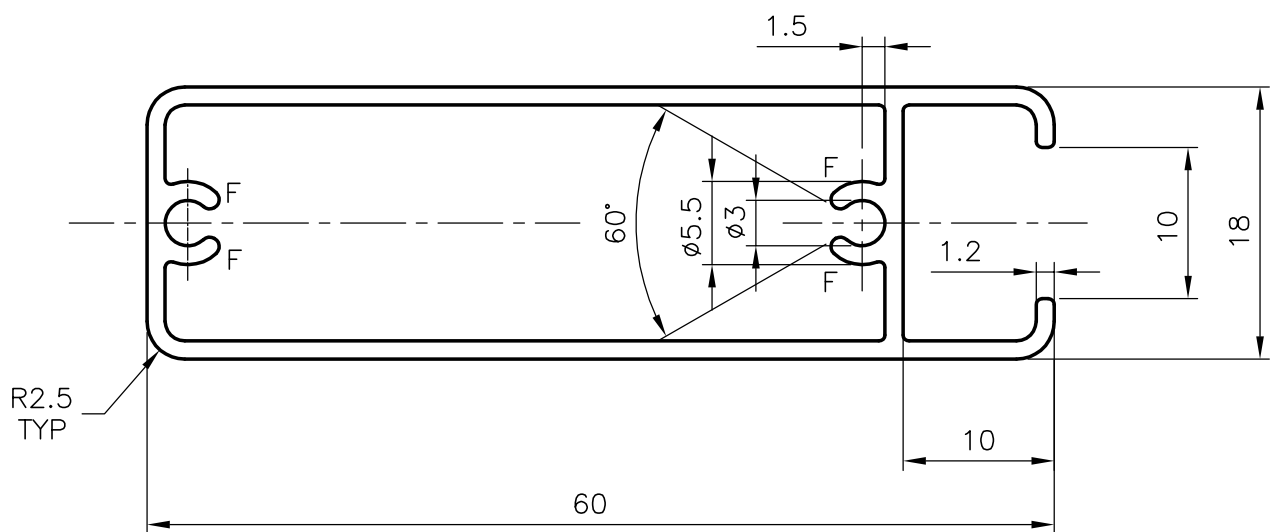
9329

12076

20925



SCALE 1:1



GENERAL WALL THICKNESS:-1.2mm  
F=FULL RADII (4-PLCS)



SYMBOL OF QUALITY  
AN ISO 9002 COMPANY

**JINDAL ALUMINIUM LTD.**  
BANGALORE-560073 (INDIA)

	NAME	DATE
DRAWN	RANGASWAMY	25-02-01
CHECKED		
APPROVED		
SCALE	2:1 & 1:1	
WEIGHT kg/m	0.549	
SECTION No.	20925	
DRAWING No.	20925	

1. ALL DIMENSIONS ARE IN mm.
2. ROUND OFF ALL SHARP CORNERS WITH 0.40 mm.
3. TOLERANCES WILL BE AS PER IS:6477-1983 UNLESS OTHERWISE SPECIFIED

PARTY'S NAME	GENERAL CATEGORY (MUMBAI MARKET)
PARTY'S DRAWING No.	AS PER SKETCH
ALLOY & TEMPER	HE9 WP
DESCRIPTION	WINDOW SECTION