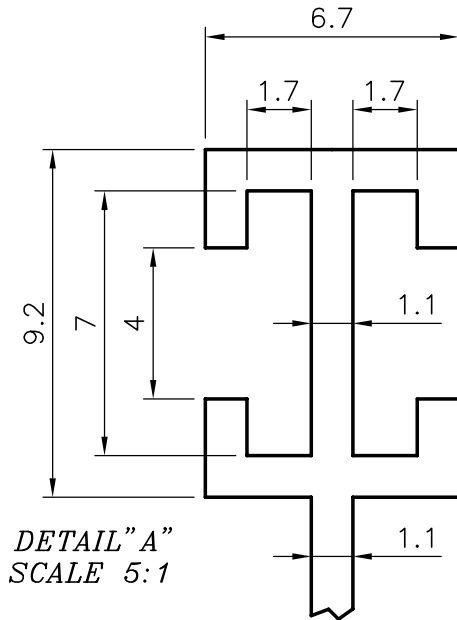


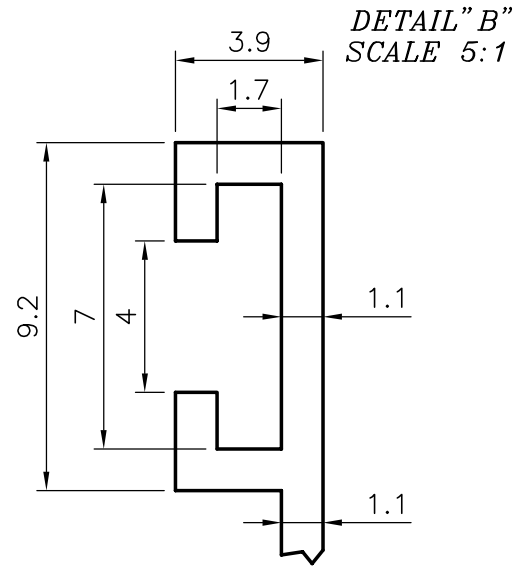
9362

12031

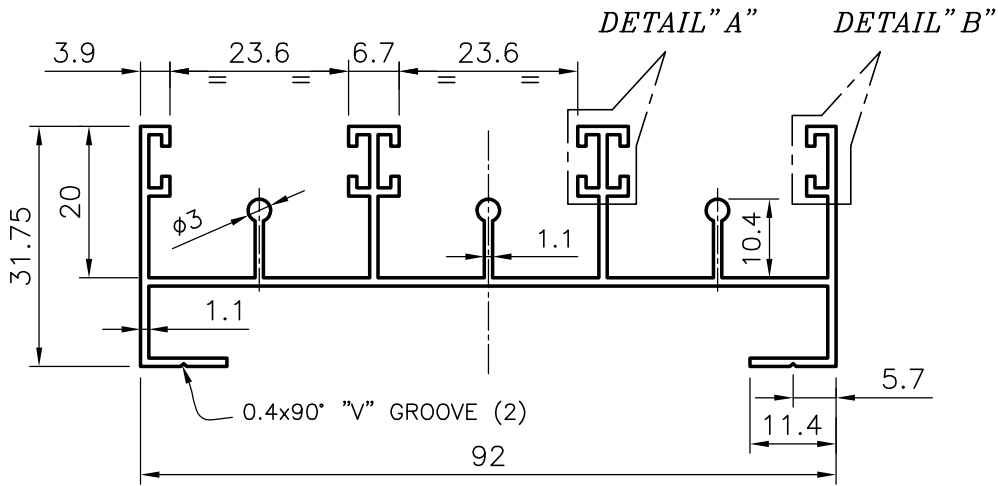
20957



DETAIL "A"
SCALE 5:1



DETAIL "B"
SCALE 5:1



GENERAL WALL THICKNESS = 1.10mm
NO OF PIECES IN 100kgs = 30 (AVERAGE)



SYMBOL OF QUALITY
AN ISO 9002 COMPANY

JINDAL ALUMINIUM LTD.
BANGALORE-560073 (INDIA)

	NAME	DATE
DRAWN	RAGHAVENDRA	18-12-01
CHECKED		
APPROVED		

1. ALL DIMENSIONS ARE IN mm.
2. ROUND OFF ALL SHARP CORNERS WITH 0.40 mm.
3. TOLERANCES WILL BE AS PER IS 3965-1981 UNLESS OTHERWISE SPECIFIED

PARTY'S NAME	-	SCALE	1:1
PARTY'S DRAWING No.	LIGHTER SECTION OF 8688	WEIGHT kg/m	0.911
ALLOY & TEMPER	HE9 WP	PERIMETER	600.49mm
DESCRIPTION	WINDOW SECTION	SECTION No.	20957
		DRAWING No.	20957