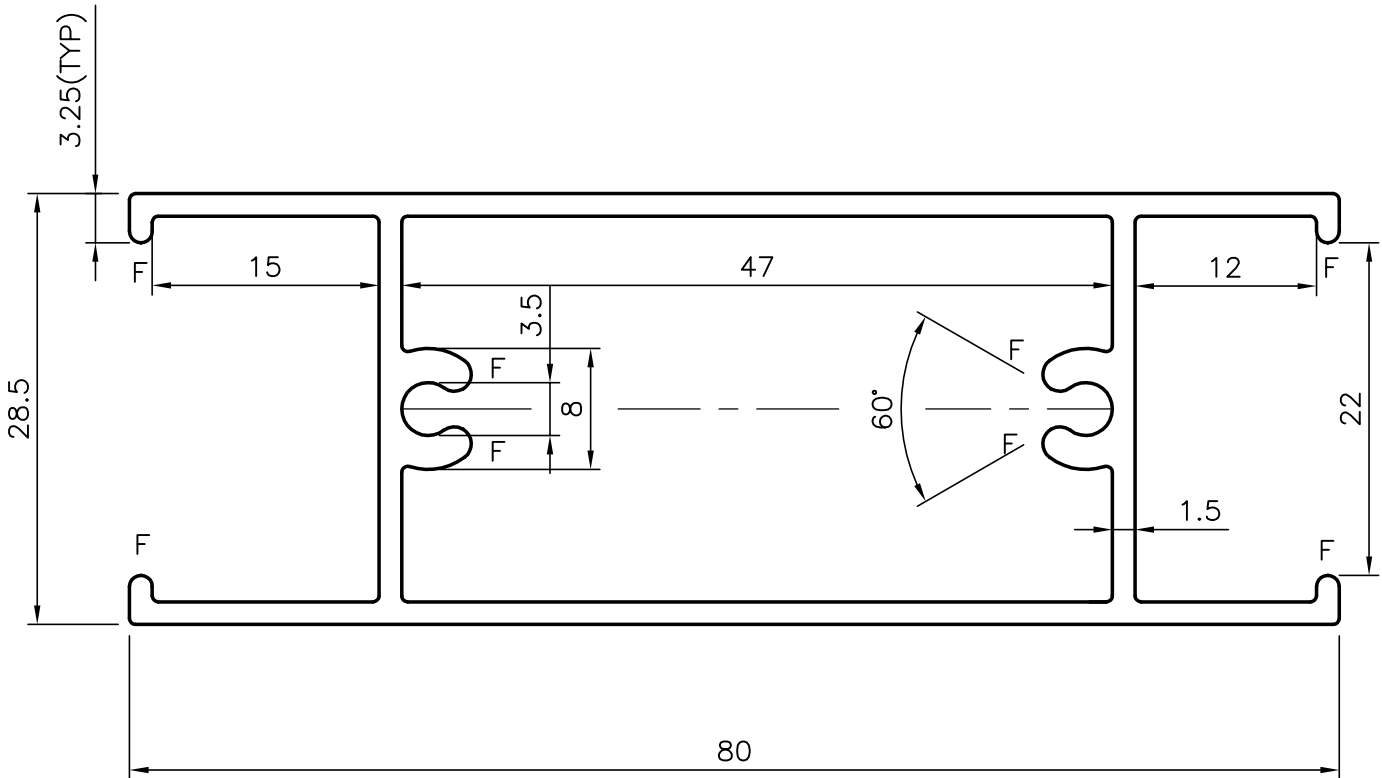
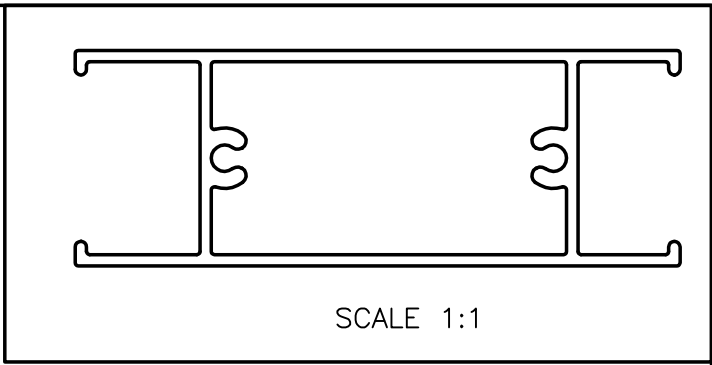



P-3306-1
X181
9415
21010



F = FULL RADII (8PLACES)  
 GENERAL WALL THICKNESS = 1.5mm

 SYMBOL OF QUALITY AN ISO 9002 COMPANY	<b>JINDAL ALUMINIUM LTD.</b> BANGALORE-560073 (INDIA)	NAME	DATE
		DRAWN	RAGHAVENDRA 09-06-01
1. ALL DIMENSIONS ARE IN mm. 2. ROUND OFF ALL SHARP CORNERS WITH 0.40 mm. 3. TOLERANCES WILL BE AS PER I.S 6477-1983 UNLESS OTHERWISE SPECIFIED		CHECKED	
		APPROVED	
		SCALE	2:1 , 1:1
PARTY'S NAME	GENERAL CATEGORY MUMBAI MARKET	WEIGHT kg/m	0.995
PARTY'S DRAWING No.	AS PER DRAWING (EX-07-TH-TOP BOTTOM)	SECTION No.	21010
ALLOY & TEMPER	HE9WP	DRAWING No.	21010
DESCRIPTION	TOP BOTTOM WINDOW SECTION		