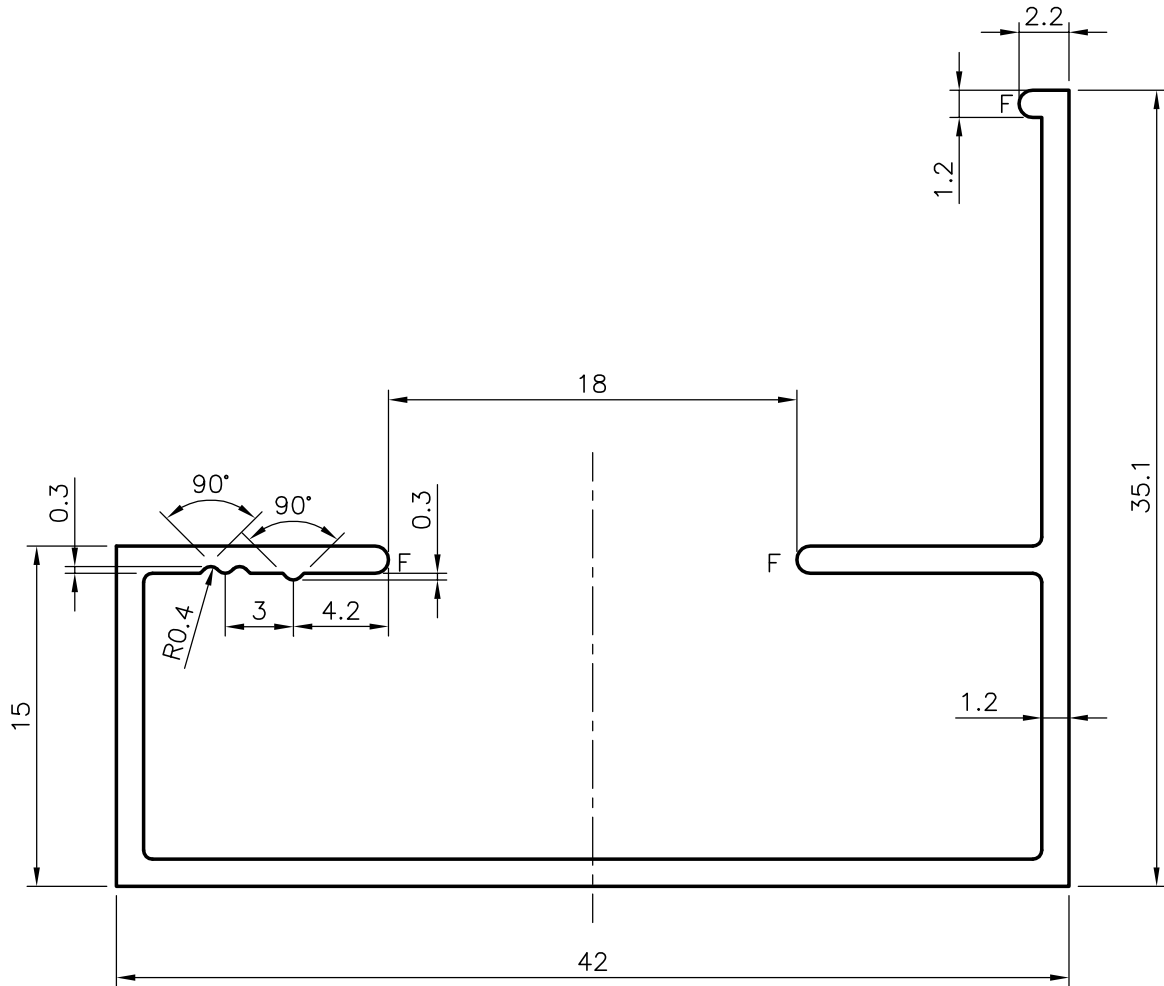
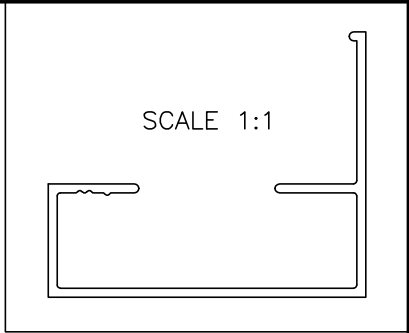



P-4685
19034
21044



GENERAL WALL THICKNESS = 1.20mm
 F = FULL RADIUS (3 PLACES)

 SYMBOL OF QUALITY AN ISO 9002 COMPANY	JINDAL ALUMINIUM LTD. BANGALORE-560073 (INDIA)	DRAWN	NAME	DATE
		CHECKED	RAGHAVENDRA	19-03-2004
1. ALL DIMENSIONS ARE IN mm. 2. ROUND OFF ALL SHARP CORNERS WITH 0.40 mm. 3. TOLERANCES WILL BE AS PER BS:1474-1987 UNLESS OTHERWISE SPECIFIED		APPROVED		
		SCALE		3:1
PARTY'S NAME SYDNEY ALUMINIUM & GLASS DOHA		AREA mm ²		134.279
		PERIMETER mm.		225.204
PARTY'S DRAWING No. AS PER SAMPLE		WEIGHT kg/m		0.363
		DRAWING No.	SECTION No.	
ALLOY & TEMPER 6063 T6		P-4685		-
		19034		19034
DESCRIPTION WINDOW SECTION		21044		21044