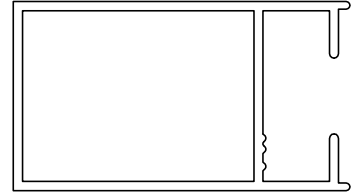


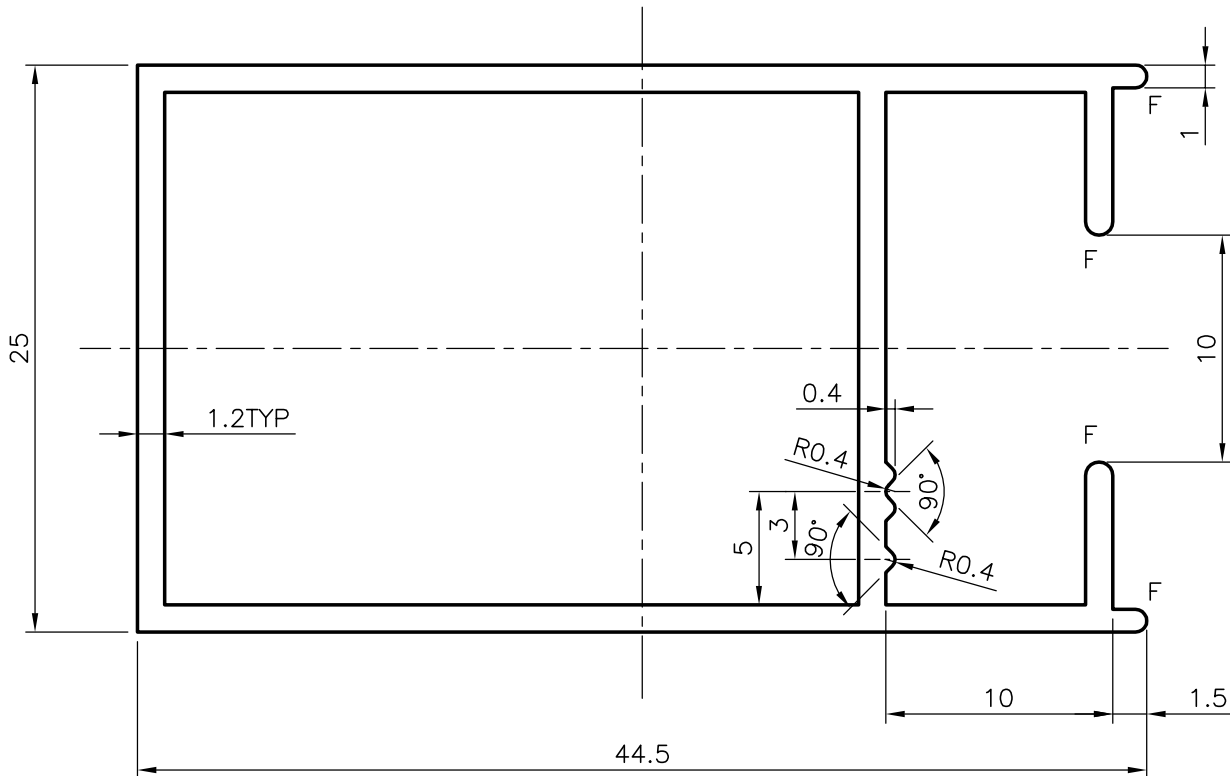
P-4689

19035

21045



SCALE 1:1



GENERAL WALL THICKNESS = 1.35mm

F = FULL RADIUS (4 PLACES)



SYMBOL OF QUALITY
AN ISO 9002 COMPANY

JINDAL ALUMINIUM LTD.
BANGALORE-560073 (INDIA)

	NAME	DATE
DRAWN	RAGHAVENDRA	19-03-2004
CHECKED		
APPROVED		

1. ALL DIMENSIONS ARE IN mm.
2. ROUND OFF ALL SHARP CORNERS WITH 0.40 mm.
3. TOLERANCES WILL BE AS PER BS:1474-1987 UNLESS OTHERWISE SPECIFIED

SCALE	3:1
AREA mm ²	175.9
PERIMETER mm.	186.168
WEIGHT kg/m	0.475

PARTY'S NAME	SYDNEY ALUMINIUM & GLASS DOHA
PARTY'S DRAWING No.	AS PER SAMPLE
ALLOY & TEMPER	6063 T6
DESCRIPTION	WINDOW SECTION

DRAWING No.	SECTION No.
P-4689	-
19035	19035
21045	21045