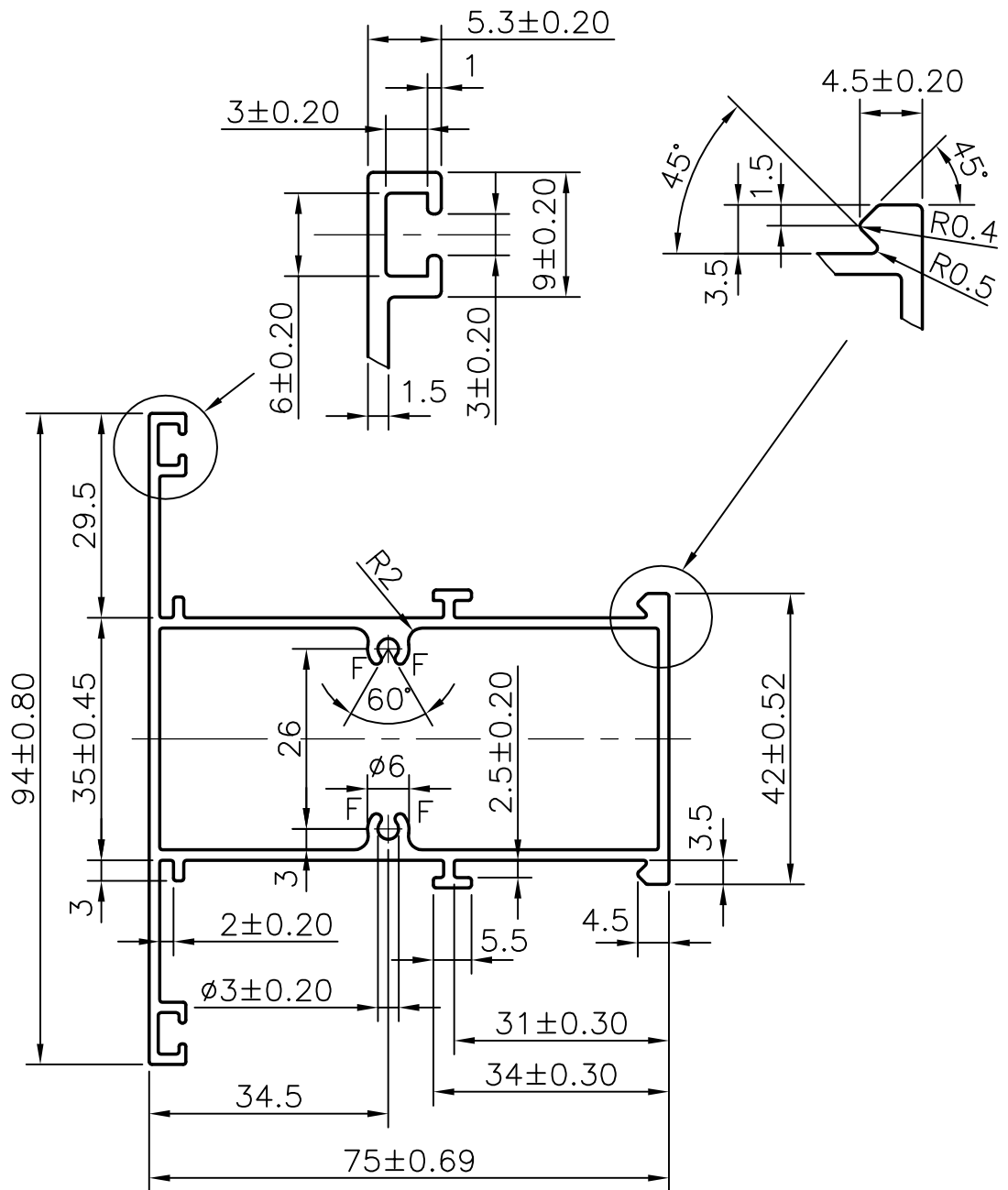


P-3891

S898

21071



- 1 GENERAL WALL THICKNESS:-  $1.50 \pm 0.20$
- 2 MATCHING SECTION:- S899
- 3 F= FULL RADIUS (4)



SYMBOL OF QUALITY  
AN ISO 9002 COMPANY

**JINDAL ALUMINIUM LTD.**  
BANGALORE-560073 (INDIA)

	NAME	DATE
DRAWN	R.D.Sharma	29-06-02
CHECKED		
APPROVED		

- 1. ALL DIMENSIONS ARE IN mm.
- 2. ROUND OFF ALL SHARP CORNERS WITH 0.40 mm.
- 3. TOLERANCES WILL BE AS PER IS 6477-1983 UNLESS OTHERWISE SPECIFIED

SCALE	1:1 & 2:1
AREA mm <sup>2</sup>	540.16
PERIMETER	432 mm
WEIGHT kg/m	1.458
SECTION No.	21071
DRAWING No.	21071

PARTY'S NAME	ALUMINIUM GLASS & GLAZING, CHENNAI
PARTY'S DRAWING No.	AS PER DRAWING
ALLOY & TEMPER	HE9 WP
DESCRIPTION	WINDOW SECTION