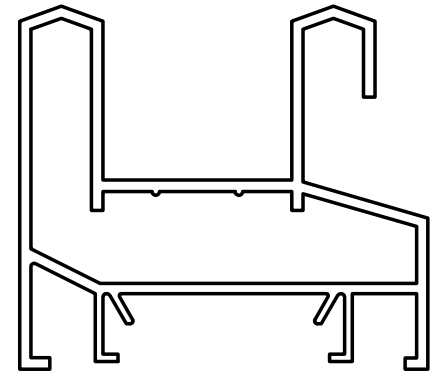


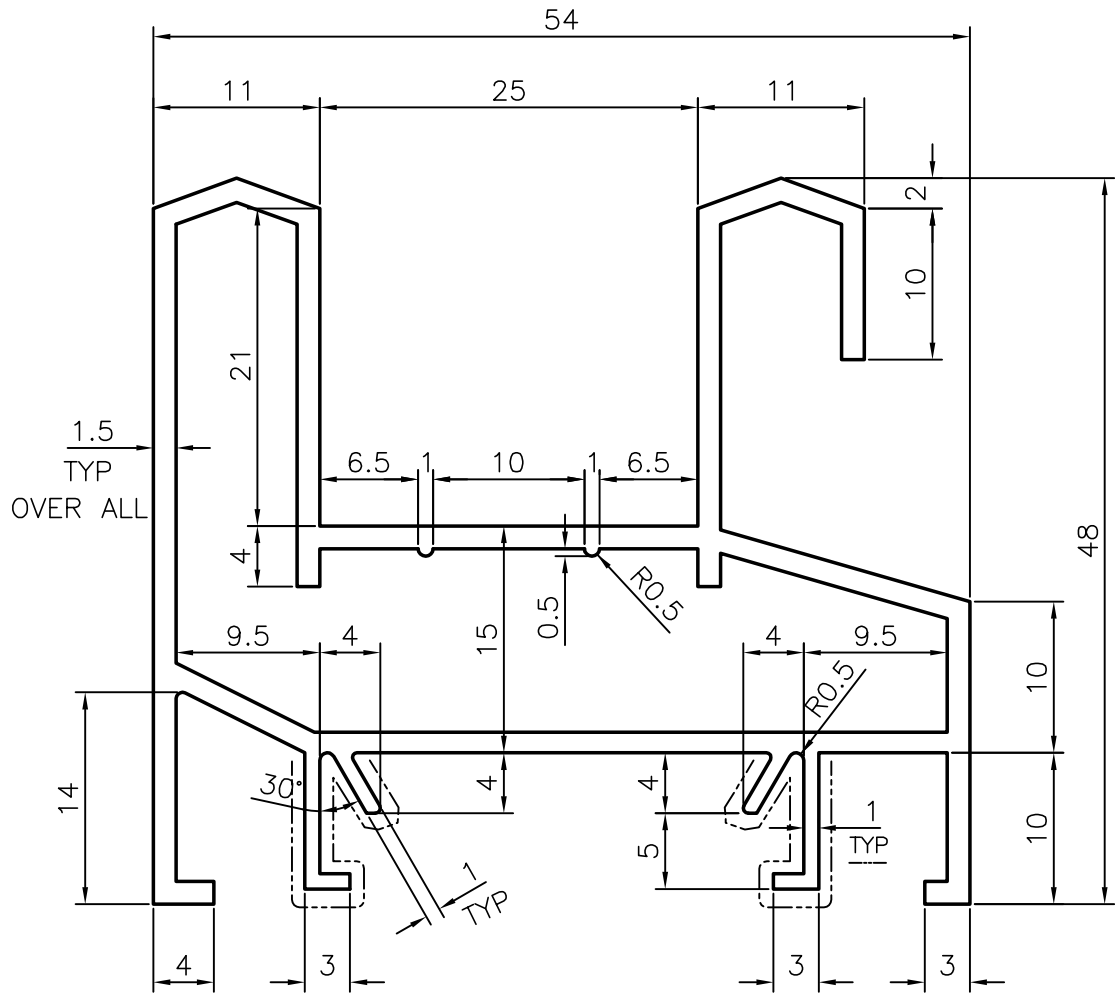
P-4301

S1031

21081



ACTUAL SIZE



SYMBOL OF QUALITY
AN ISO 9002 COMPANY

JINDAL ALUMINIUM LTD.
BANGALORE-560073 (INDIA)

	NAME	DATE
DRAWN	SUDIP ROY	30.06.2003
CHECKED		
APPROVED		
SCALE		1:1/2:1
AREA mm ²		387.660
PERIMETER mm.		369.681
WEIGHT kg/m		1.047
DRAWING No.	SECTION No.	
P-4301	-	
S1031	S1031	
21081	21081	

1. ALL DIMENSIONS ARE IN mm.
2. ROUND OFF ALL SHARP CORNERS WITH 0.40 mm.
3. TOLERANCES WILL BE AS PER IS: 6477-1983 UNLESS OTHERWISE SPECIFIED

PARTY'S NAME	ALUMINIUM GLASS & GLAZING
PARTY'S DRAWING No.	AS PER E-MAIL DRAWING
ALLOY & TEMPER	HE9 WP
DESCRIPTION	WINDOW SECTION