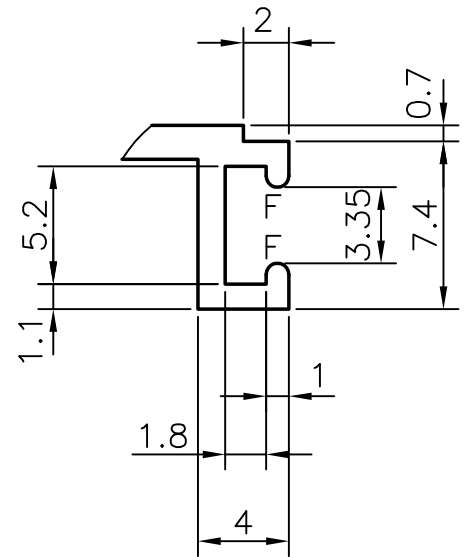
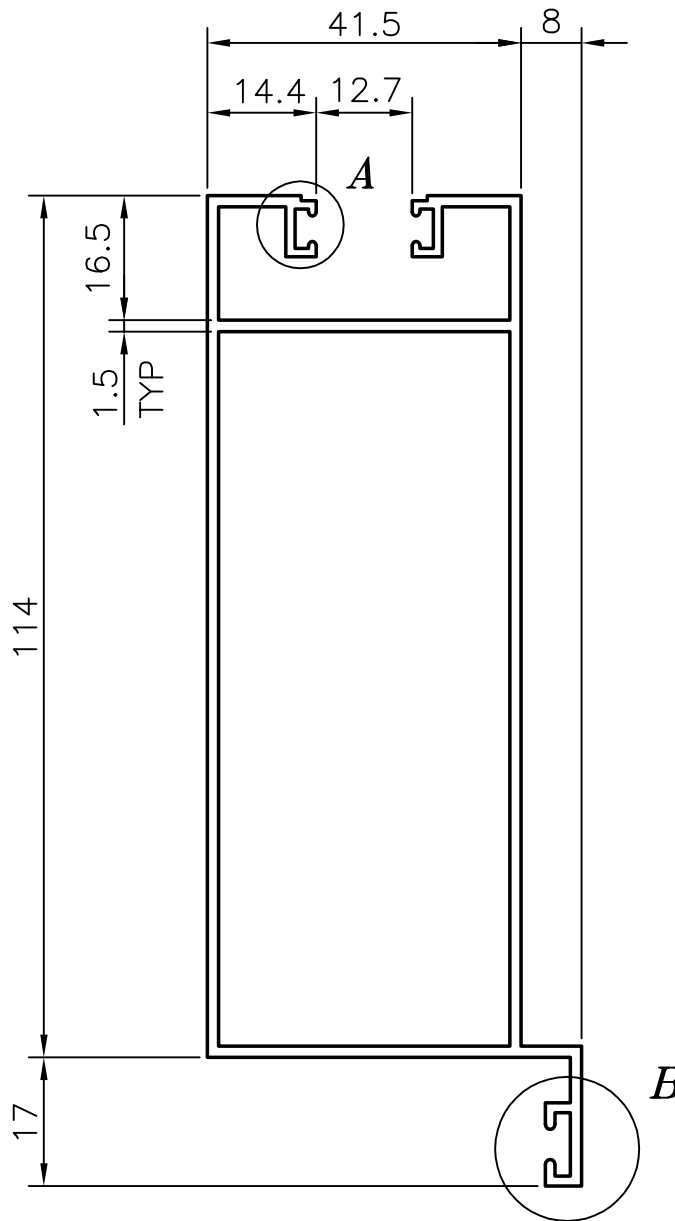


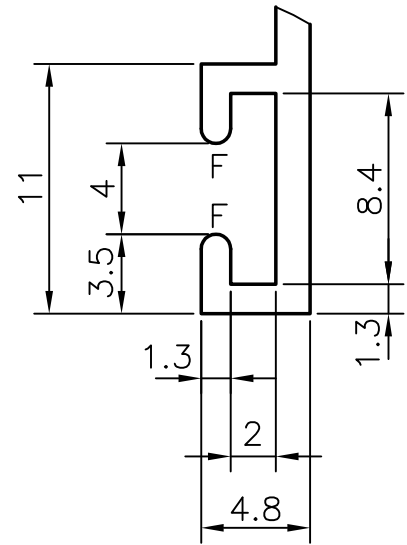
P-4021-1

S928

21083



DETAIL AT 'A'
(SCALE 3:1)



DETAIL AT 'B'
(SCALE 3:1)

F = FULL RADIUS (6)



SYMBOL OF QUALITY
AN ISO 9002 COMPANY

JINDAL ALUMINIUM LTD.
BANGALORE-560073 (INDIA)

	NAME	DATE
DRAWN	R.D.Sharma	09-11-02
CHECKED		
APPROVED		
SCALE	1:1 & 3:1	
AREA mm ²	571.8	
PERIMETER mm.	509.8	
WEIGHT kg/m	1.544	
SECTION No.	21083	
DRAWING No.	21083	

1. ALL DIMENSIONS ARE IN mm.
2. ROUND OFF ALL SHARP CORNERS WITH 0.40 mm.
3. TOLERANCES WILL BE AS PER IS: 6477-1983 UNLESS OTHERWISE SPECIFIED

PARTY'S NAME	ALUFIT (INDIA) PVT. LTD., BANGALORE
PARTY'S DRAWING No.	AS PER DRAWING
ALLOY & TEMPER	HE9 WP
DESCRIPTION	ARCHITECTURAL SECTION