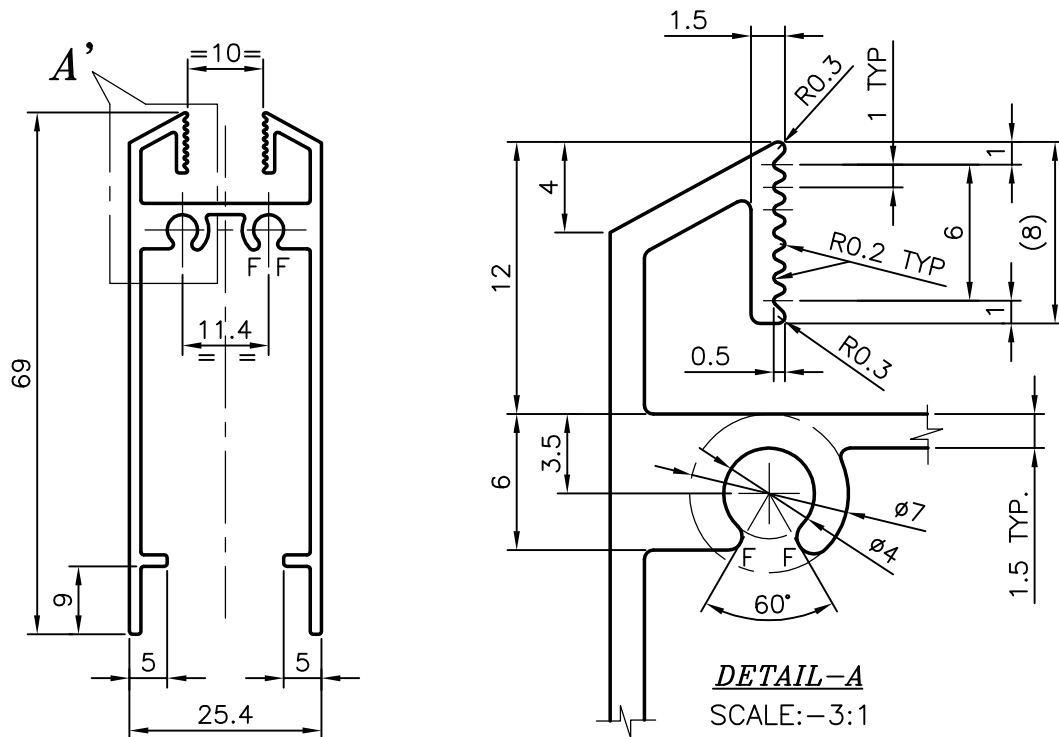


P-6488

21143



UNSPECIFIED WALL THICKNESS = 1.5 mm  
 F = FULL RADIUS (4 PLACES)



SYMBOL OF QUALITY  
 AN ISO 9001 COMPANY

**JINDAL ALUMINIUM LTD.**  
 BANGALORE-560073 (INDIA)

	NAME	DATE
DRAWN	malingappa	13-06-2006
CHECKED		
APPROVED		
SCALE		1:1
AREA mm <sup>2</sup>		326.636
PERIMETER mm.		394.432
WEIGHT kg/m		0.882
DRAWING No.	SECTION No.	
P-6488	-	
21143	21143	

1. ALL DIMENSIONS ARE IN mm.
2. ROUND OFF ALL SHARP CORNERS WITH 0.40 mm.
3. TOLERANCES WILL BE AS PER IS:3965-1981 UNLESS OTHERWISE SPECIFIED

PARTY'S NAME	GENERAL CATEGORY, COCHIN MARKET
PARTY'S DRAWING No.	LIGHTER OF SEC. NO. 20716
ALLOY & TEMPER	HE9 WP
DESCRIPTION	WINDOW SECTION