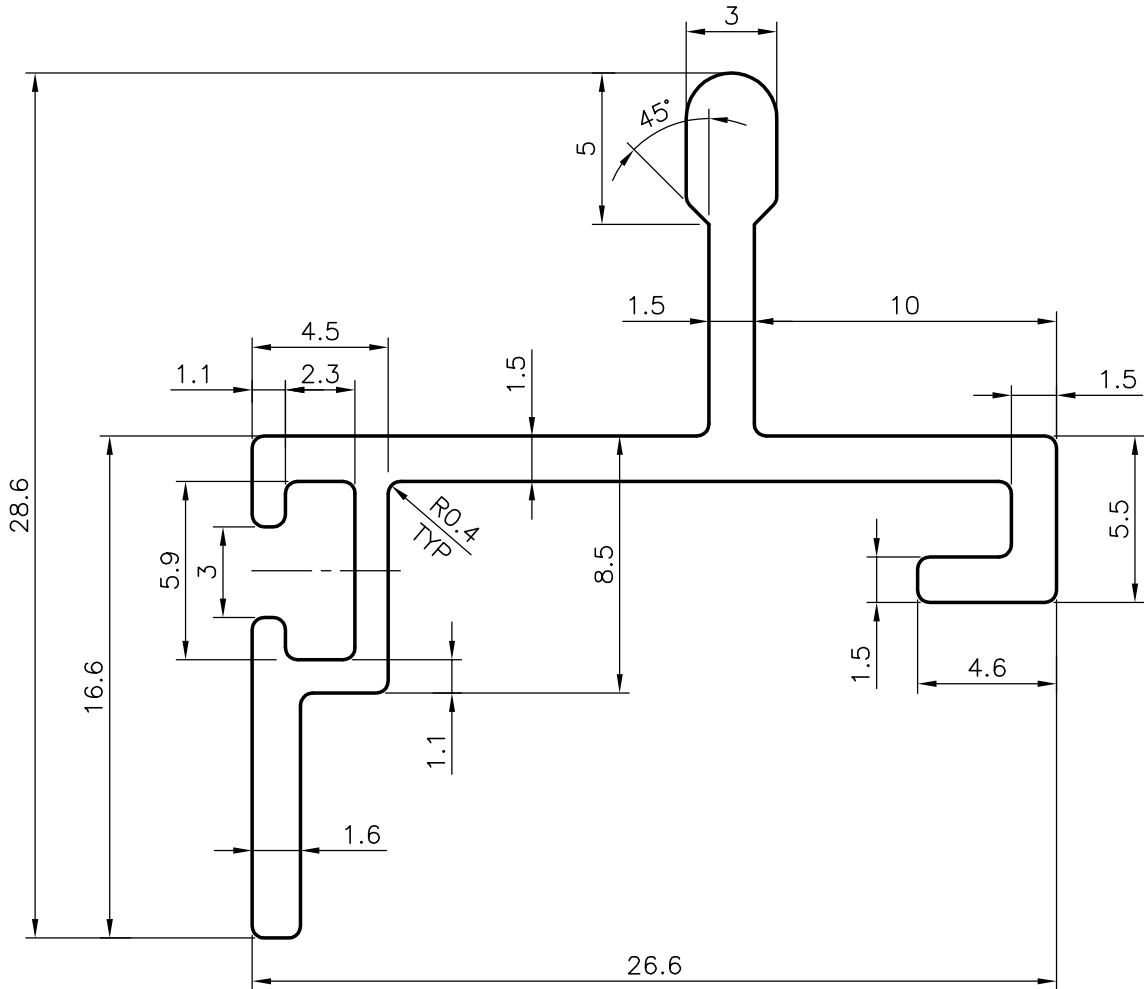
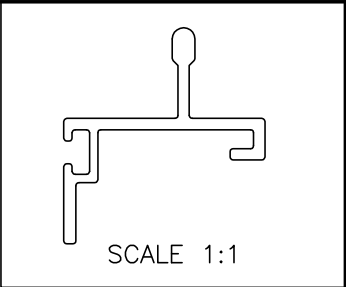


P-5668
S1546
21155



JINDAL ALUMINIUM LTD.
 BANGALORE-560073 (INDIA)

	NAME	DATE
DRAWN	RAGHAVENDRA	10-07-2005
CHECKED		
APPROVED		

1. ALL DIMENSIONS ARE IN mm.
2. ROUND OFF ALL SHARP CORNERS WITH 0.40 mm.
3. TOLERANCES WILL BE AS PER IS:3965-1981 UNLESS OTHERWISE SPECIFIED

SCALE	4:1
AREA mm ²	102.036
PERIMETER mm.	134.222
WEIGHT kg/m	0.275

PARTY'S NAME	B.L.KASHYAP & SONS LIMITED, BANGALORE
PARTY'S DRAWING No.	AS PER SAMPLE
ALLOY & TEMPER	HE9 WP
DESCRIPTION	MESH SHUTTER OUTER FRAME

DRAWING No.	SECTION No.
P-5668	-
S1546	S1546
21155	21155