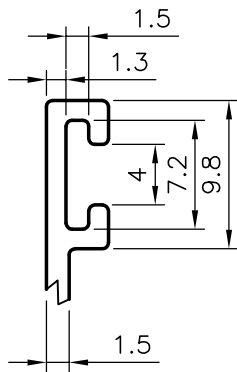
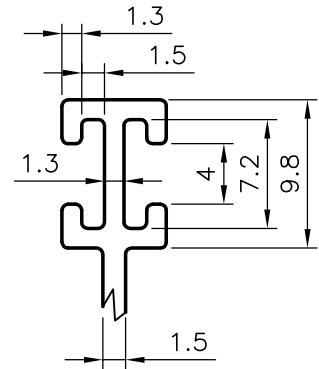


P-7091  
21203

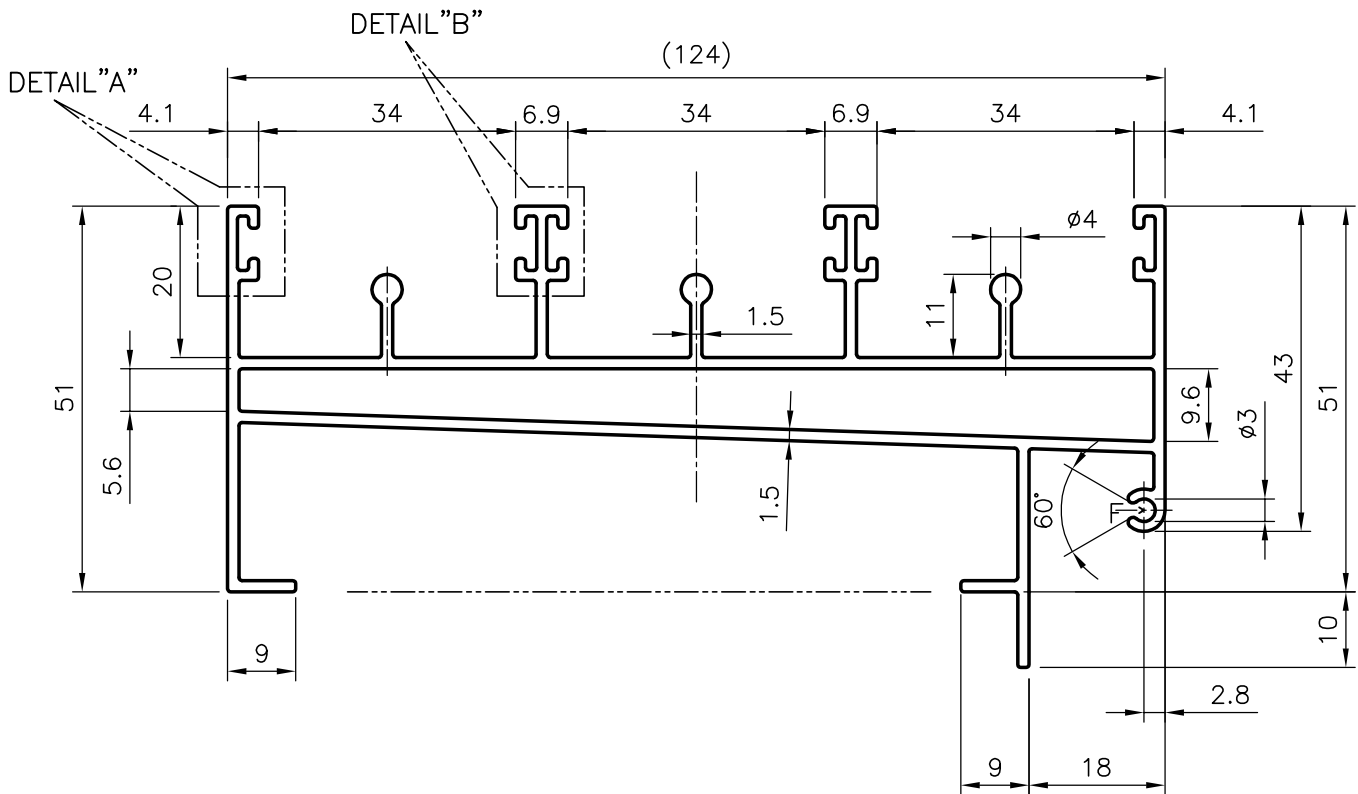
DETAIL A  
SCALE 2:1




DETAIL B  
SCALE 2:1



GENERAL WALL THICKNESS :-1.5mm  
F = FULL RADII (2-PLCS)



 SYMBOL OF QUALITY AN ISO 9001 COMPANY	<b>JINDAL ALUMINIUM LTD.</b> BANGALORE-560073 (INDIA)	NAME	DATE
		DRAWN	PRASANN.H 05-03-2007
		CHECKED	
		APPROVED	
1. ALL DIMENSIONS ARE IN mm. 2. ROUND OFF ALL SHARP CORNERS WITH 0.40 mm. 3. TOLERANCES WILL BE AS PER IS:6477-1983 UNLESS OTHERWISE SPECIFIED		SCALE 1:1	
		AREA mm <sup>2</sup>	767.911
		PERIMETER mm.	752.671
PARTY'S NAME	GENERAL CATEGORY, MUMBAI MARKET	WEIGHT kg/m	2.073
PARTY'S DRAWING No.	AS PER DRAWING	DRAWING No.	SECTION No.
ALLOY & TEMPER	HE9 WP	P-7091	-
DESCRIPTION	WINDOW SECTION-GUTTER	21203	21203