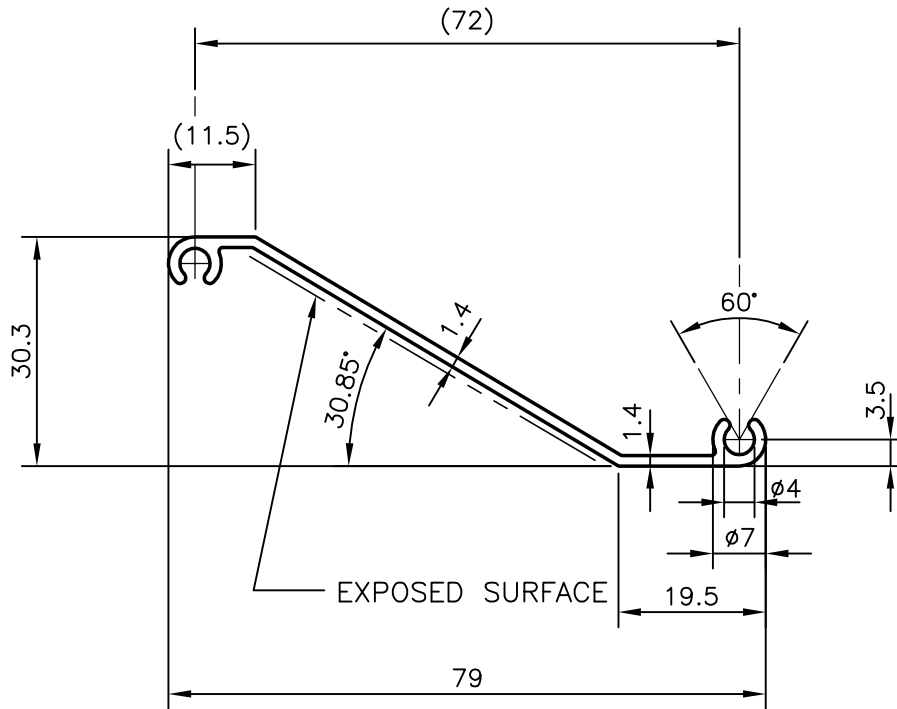


P-9422-1

21305



SYMBOL OF QUALITY
AN ISO 9001 COMPANY

JINDAL ALUMINIUM LTD.
BANGALORE-560073 (INDIA)

	NAME	DATE
DRAWN	J.P.KAUSHIK	03-08-2009
CHECKED		
APPROVED		

1. ALL DIMENSIONS ARE IN mm.
2. ROUND OFF ALL SHARP CORNERS WITH 0.40 mm.
3. TOLERANCES WILL BE AS PER BS:EN-755 UNLESS OTHERWISE SPECIFIED

SCALE	1:1
AREA mm ²	148.972
PERIMETER mm.	207.405
WEIGHT kg/m	0.402

PARTY'S NAME	KBE INTERNATIONAL SAL-LEBANON
PARTY'S DRAWING No.	711
ALLOY & TEMPER	6063 T6
DESCRIPTION	LOUVER SECTION

DRAWING No.	SECTION No.
P-9422-1	-
21305	21305