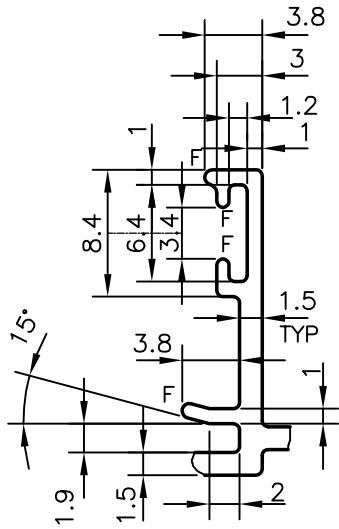
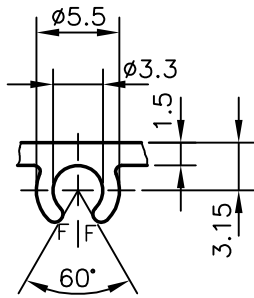
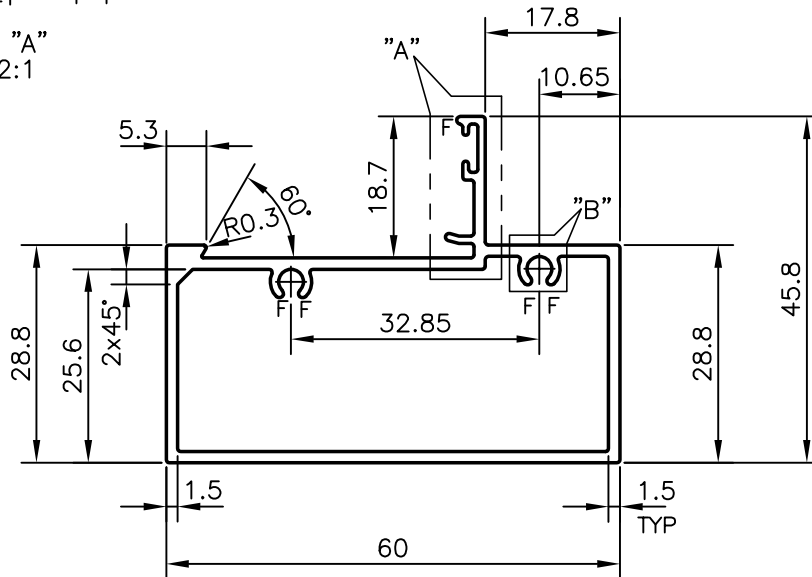
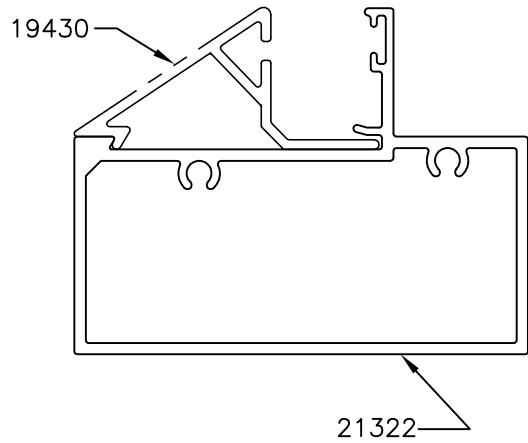


P-10280-1

21322



DETAIL OF "A"  
SCALE 2:1



DETAIL OF "B"  
SCALE 2:1

F = FULL RADIUS (8 PLACES)



SYMBOL OF QUALITY  
AN ISO 9001 COMPANY

**JINDAL ALUMINIUM LTD.**  
BANGALORE-560073 (INDIA)

	NAME	DATE
DRAWN	J.P.KAUSHIK	14-08-2010
CHECKED		
APPROVED	S.S.GARG	09-10-2010
SCALE		1:1
AREA mm <sup>2</sup>		318.524
PERIMETER mm.		233.546
WEIGHT kg/m		0.86
DRAWING No.	SECTION No.	
P-10280-1	-	
21322	21322	

1. ALL DIMENSIONS ARE IN mm.
2. ROUND OFF ALL SHARP CORNERS WITH 0.40 mm.
3. TOLERANCES WILL BE AS PER BS:EN-755 UNLESS OTHERWISE SPECIFIED

PARTY'S NAME	PRAYOSHA ENTERPRISES LTD., UGANDA
PARTY'S DRAWING No.	AS PER SAMPLE
ALLOY & TEMPER	6063 T6
DESCRIPTION	WINDOW SECTION