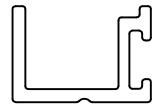
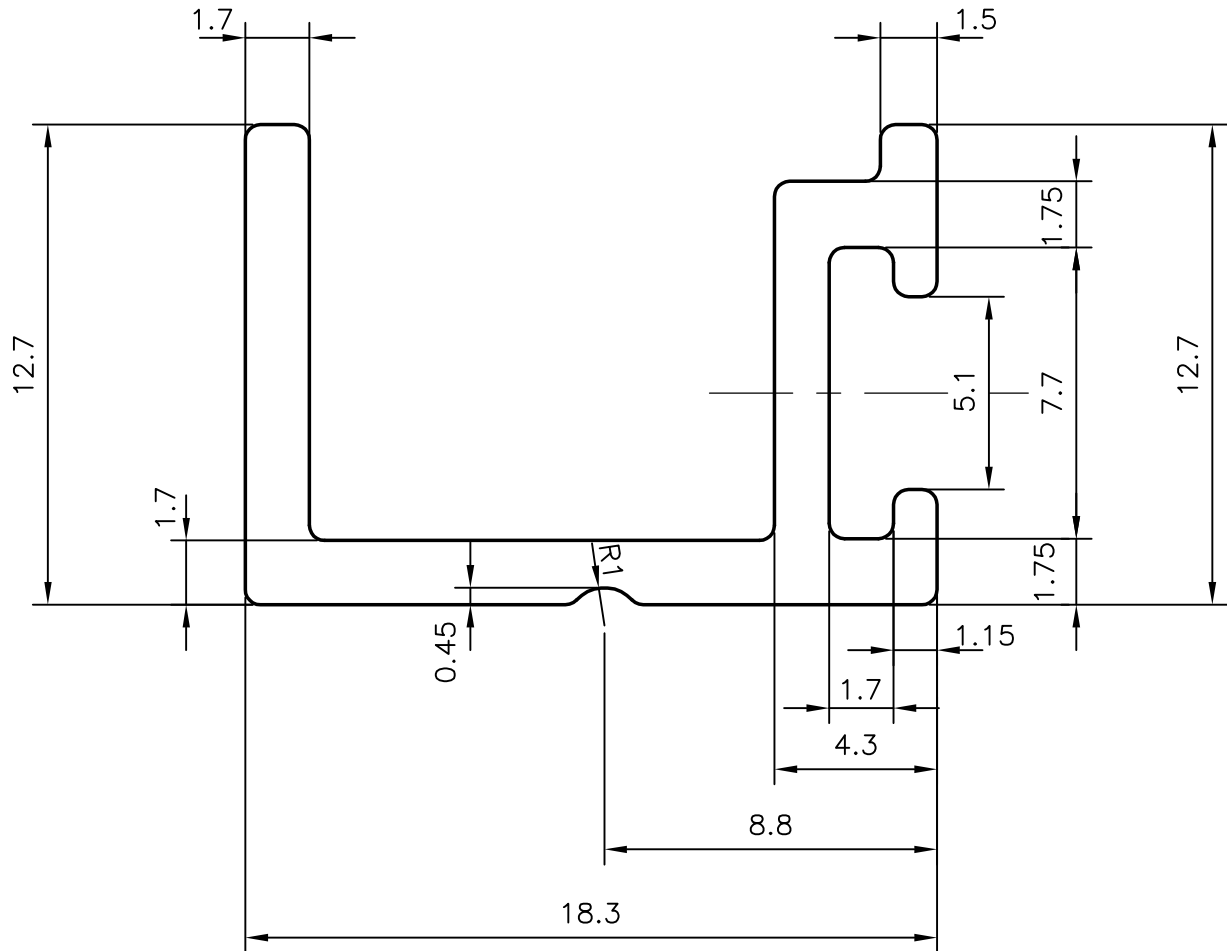


P-10468

21326



1:1



SYMBOL OF QUALITY
AN ISO 9001 COMPANY

JINDAL ALUMINIUM LTD.
BANGALORE-560073 (INDIA)

	NAME	DATE
DRAWN	J.P.KAUSHIK	08-10-2010
CHECKED		
APPROVED	S.S.GARG	21-10-2010
SCALE		5:1
AREA mm ²		73.279
PERIMETER mm.		92.063
WEIGHT kg/m		0.198
DRAWING No.	SECTION No.	

1. ALL DIMENSIONS ARE IN mm.
2. ROUND OFF ALL SHARP CORNERS WITH 0.40 mm.
3. TOLERANCES WILL BE AS PER,BS:EN-755 UNLESS OTHERWISE SPECIFIED

PARTY'S NAME	PRAYOSHA ENTERPRISES LTD., UGANDA	P-10468	-
PARTY'S DRAWING No.	AS PER SAMPLE	21326	21326
ALLOY & TEMPER	6063 T6		
DESCRIPTION	DOOR GRUH CHANNEL		