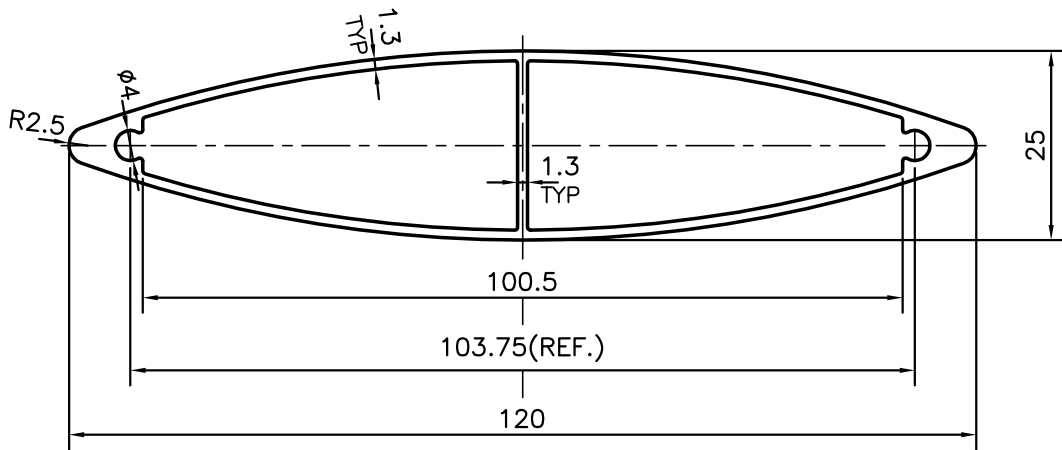


P-10869

21333



SYMBOL OF QUALITY
AN ISO 9001 COMPANY

JINDAL ALUMINIUM LTD.
BANGALORE-560073 (INDIA)

	NAME	DATE
DRAWN	J.P.KAUSHIK	26-03-2011
CHECKED		
APPROVED	S.S.GARG	31-03-2011
SCALE		1:1
AREA mm ²		402.068
PERIMETER mm.		250.318
WEIGHT kg/m		1.086
DRAWING No.	SECTION No.	
P-10869	-	
21333	21333	

1. ALL DIMENSIONS ARE IN mm.
2. ROUND OFF ALL SHARP CORNERS WITH 0.40 mm.
3. TOLERANCES WILL BE AS PER, BS:EN-755-9 UNLESS OTHERWISE SPECIFIED

PARTY'S NAME	PRAYOSHA ENTERPRISES LTD., UGANDA
PARTY'S DRAWING No.	AS PER SAMPLE
ALLOY & TEMPER	6063 T6
DESCRIPTION	OVAL TUBE-MISC.