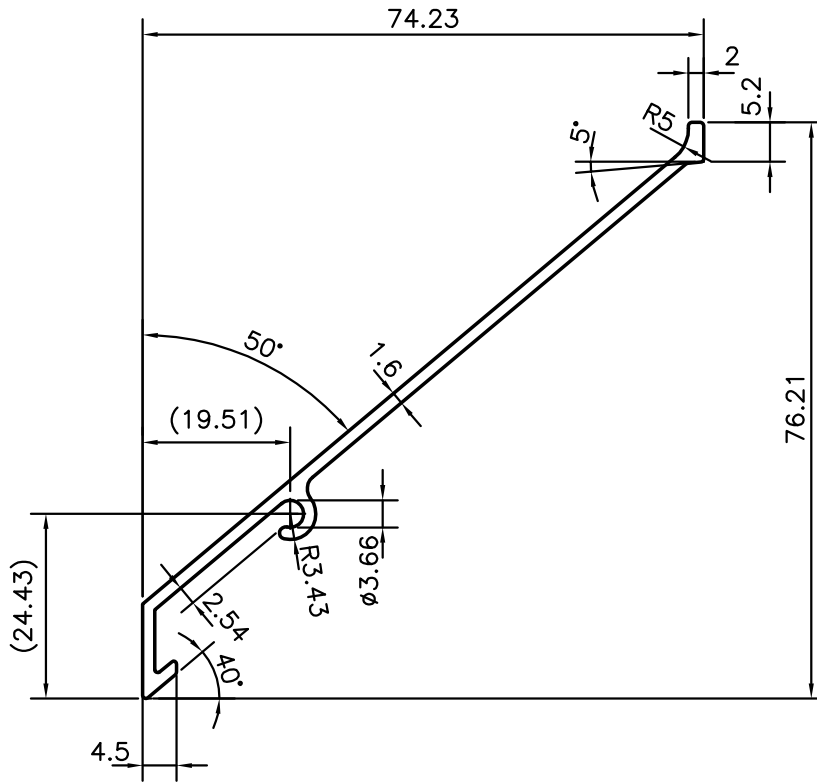


P-10512
S2752
21334



JINDAL ALUMINIUM LTD.
BANGALORE-560073 (INDIA)

1. ALL DIMENSIONS ARE IN mm.
2. ROUND OFF ALL SHARP CORNERS WITH 0.4 mm.
3. TOLERANCES WILL BE AS PER IS:3965-1981 UNLESS OTHERWISE SPECIFIED

| | |
|---------------------|---|
| PARTY'S NAME | CONSTRUCTION SPECIALITIES INTERNATIONAL, MUMBAI |
| PARTY'S DRAWING No. | 8735D |
| ALLOY & TEMPER | 6063 T6 |
| DESCRIPTION | MISC. SECTION |

| | NAME | DATE |
|----------------------|-------------|------------|
| DRAWN | J.P.KAUSHIK | 21-10-2010 |
| CHECKED | | |
| APPROVED | S.S.GARG | 06-11-2010 |
| SCALE | | 1:1 |
| AREA mm ² | | 201.192 |
| PERIMETER mm. | | 244.842 |
| WEIGHT kg/m | | 0.543 |
| DRAWING No. | SECTION No. | |
| P-10512 | - | |
| S2752 | S2752 | |
| 21334 | 21334 | |
| | | |
| | | |