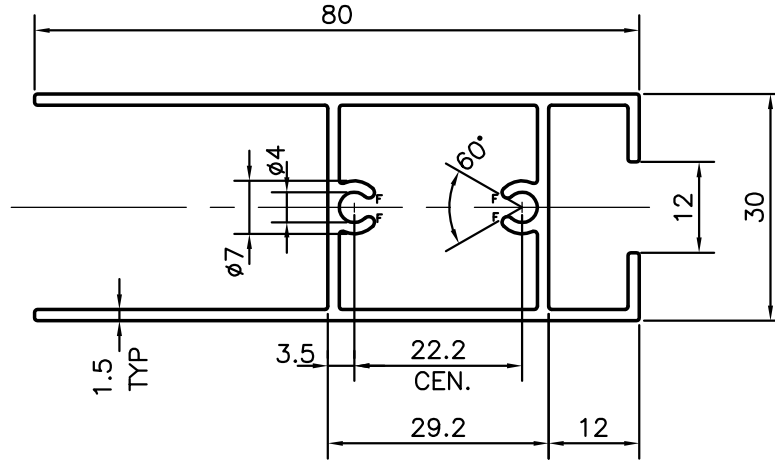


P-11156

21345



F = FULL RADIUS (4 PLACES)



SYMBOL OF QUALITY
AN ISO 9001 COMPANY

JINDAL ALUMINIUM LTD.
BANGALORE-560073 (INDIA)

	NAME	DATE
DRAWN	PARVESH	09-08-2011
CHECKED		
APPROVED	S.S.GARG	24-08-2011
SCALE		1:1
AREA mm ²		373.98
PERIMETER mm.		348.853
WEIGHT kg/m		1.010
DRAWING No.	SECTION No.	
P-11156	-	
21345	21345	

1. ALL DIMENSIONS ARE IN mm.
2. ROUND OFF ALL SHARP CORNERS WITH 0.40 mm.
3. TOLERANCES WILL BE AS PER,IS:6477-1983 UNLESS OTHERWISE SPECIFIED

PARTY'S NAME	GENERAL CATEGORY, MUMBAI MARKET
PARTY'S DRAWING No.	AS PER DRAWING
ALLOY & TEMPER	HE9 WP
DESCRIPTION	SHUTTER SECTION