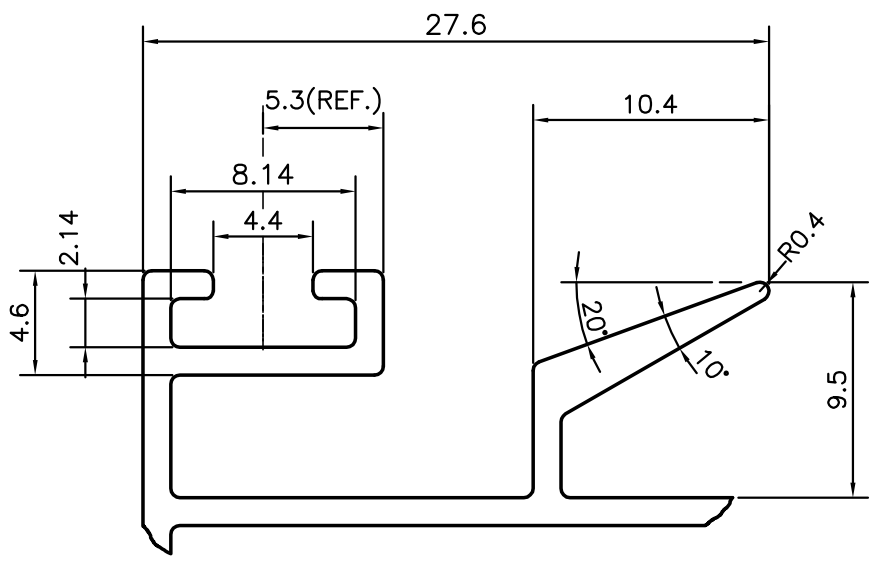
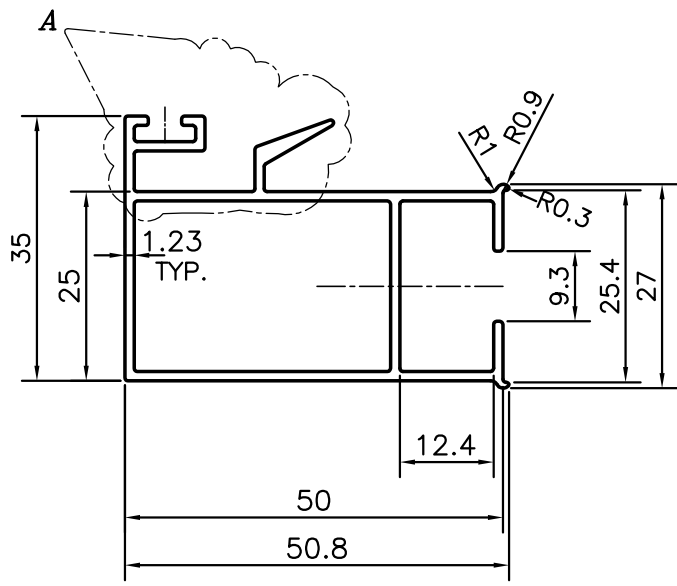



P-11268-1
21354



DETAIL OF 'A'
SCALE 3:1

 SYMBOL OF QUALITY AN ISO 9001 COMPANY	JINDAL ALUMINIUM LTD. BANGALORE-560073 (INDIA)	DRAWN	NAME	DATE
		CHECKED	PARVESH	24-10-2011
1. ALL DIMENSIONS ARE IN mm. 2. ROUND OFF ALL SHARP CORNERS WITH 0.40 mm. 3. TOLERANCES WILL BE AS PER, BS:EN-755-9 UNLESS OTHERWISE SPECIFIED		APPROVED	S.S.GARG	10-11-2011
		SCALE		1:1
PARTY'S NAME GENERAL CATEGORY, MUMBAI MARKET		AREA mm ²		253.874
		PERIMETER mm.		287.588
PARTY'S DRAWING No. AS PER SAMPLE		WEIGHT kg/m		0.685
		DRAWING No.	SECTION No.	
ALLOY & TEMPER HE9 WP		P-11268-1		-
		21354		21354
DESCRIPTION WINDOW SECTION				