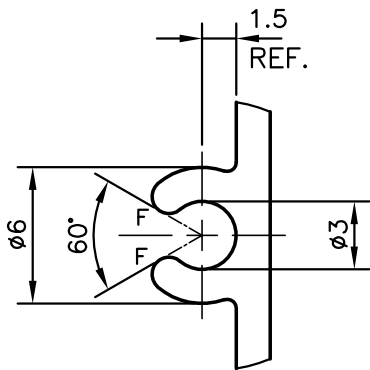
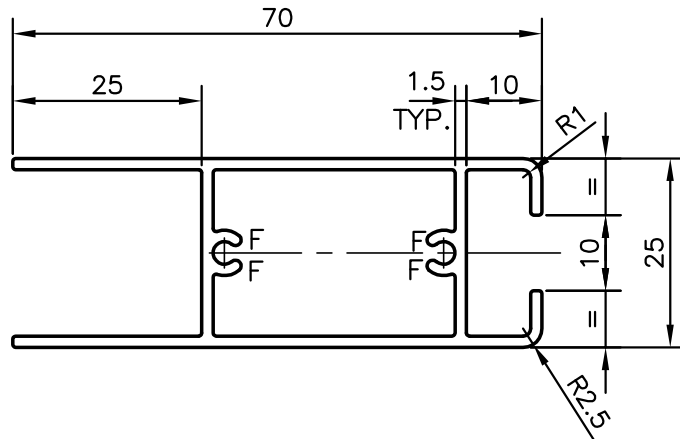


P-11524

21381



**DETAIL OF "A"**  
SCALE 3:1

F = FULL RADIUS (4 PLACES)



SYMBOL OF QUALITY  
AN ISO 9001 COMPANY

**JINDAL ALUMINIUM LTD.**  
BANGALORE-560073 (INDIA)

|                      | NAME        | DATE       |
|----------------------|-------------|------------|
| DRAWN                | PARVESH     | 30-01-2012 |
| CHECKED              |             |            |
| APPROVED             | S.S. GARG   | 14-02-2012 |
| SCALE                |             | 1:1        |
| AREA mm <sup>2</sup> |             | 315.309    |
| PERIMETER mm.        |             | 278.935    |
| WEIGHT kg/m          |             | 0.851      |
| DRAWING No.          | SECTION No. |            |
| P-11524              |             |            |
| 21381                | 21381       |            |
|                      |             |            |
|                      |             |            |

1. ALL DIMENSIONS ARE IN mm.
2. ROUND OFF ALL SHARP CORNERS WITH 0.40 mm.
3. TOLERANCES WILL BE AS PER IS:6477-1983 , UNLESS OTHERWISE SPECIFIED

|                     |                                    |
|---------------------|------------------------------------|
| PARTY'S NAME        | GENERAL CATEGORY, AHMEDABAD MARKET |
| PARTY'S DRAWING No. | AS PER SKETCH                      |
| ALLOY & TEMPER      | HE9 WP                             |
| DESCRIPTION         | WINDOW SECTION                     |