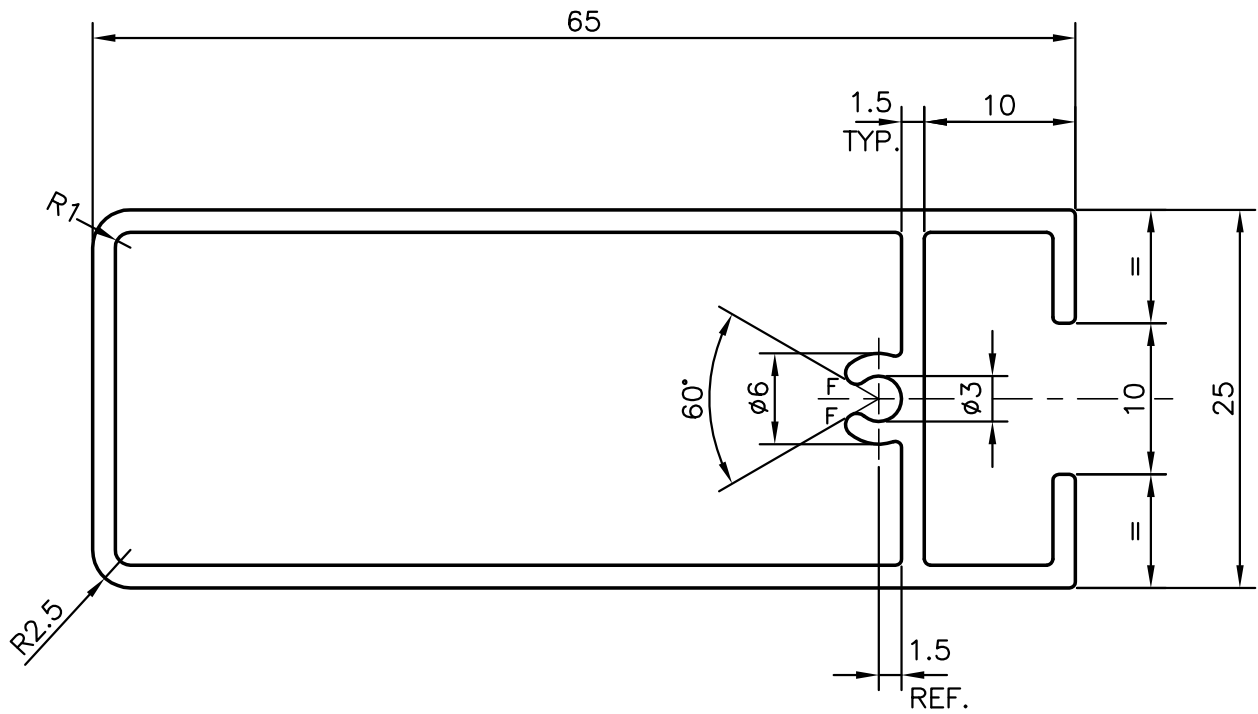
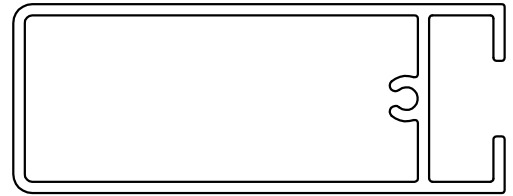


P-11525

21382



F = FULL RADIUS (2 PLACES)



SYMBOL OF QUALITY  
AN ISO 9001 COMPANY

**JINDAL ALUMINIUM LTD.**  
BANGALORE-560073 (INDIA)

	NAME	DATE
DRAWN	PARVESH	30-01-2012
CHECKED		
APPROVED	S.S. GARG	14-02-2012
SCALE		2:1
AREA mm <sup>2</sup>		288.528
PERIMETER mm.		220.137
WEIGHT kg/m		0.779
DRAWING No.	SECTION No.	
P-11525		
21382	21382	

1. ALL DIMENSIONS ARE IN mm.
2. ROUND OFF ALL SHARP CORNERS WITH 0.40 mm.
3. TOLERANCES WILL BE AS PER IS:6477-1983 , UNLESS OTHERWISE SPECIFIED

PARTY'S NAME	GENERAL CATEGORY, AHMEDABAD MARKET
PARTY'S DRAWING No.	AS PER SKETCH
ALLOY & TEMPER	HE9 WP
DESCRIPTION	WINDOW SECTION