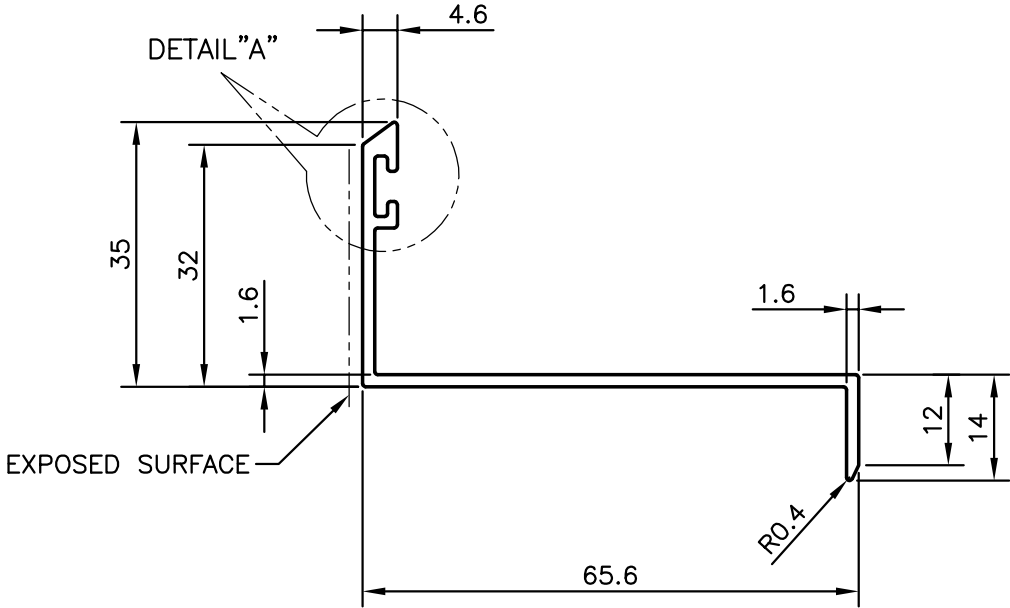
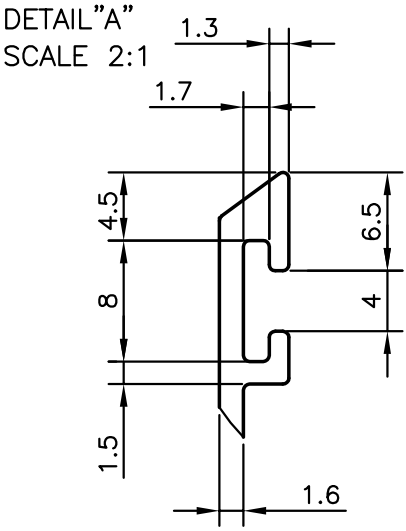


P-9877-1  
 X1265  
 21387



**JINDAL ALUMINIUM LTD.**  
 BANGALORE-560073 (INDIA)

	NAME	DATE
DRAWN	J.P.KAUSHIK	11-03-2010
CHECKED		
APPROVED	S.S.GARG	23-03-2010

1. ALL DIMENSIONS ARE IN mm.
2. ROUND OFF ALL SHARP CORNERS WITH 0.40 mm.
3. TOLERANCES WILL BE AS PER IS:3965-1981, UNLESS OTHERWISE SPECIFIED

SCALE	1:1
AREA mm <sup>2</sup>	194.303
PERIMETER mm.	240.412
WEIGHT kg/m	0.525

PARTY'S NAME	GEETA ALUMINIUM CO. PVT. LTD., MUMBAI
PARTY'S DRAWING No.	AS PER DRAWING
ALLOY & TEMPER	HE9 WP
DESCRIPTION	ARCHITECTURAL SECTION

DRAWING No.	SECTION No.
P-9877-1	-
X1265	X1265
21387	21387