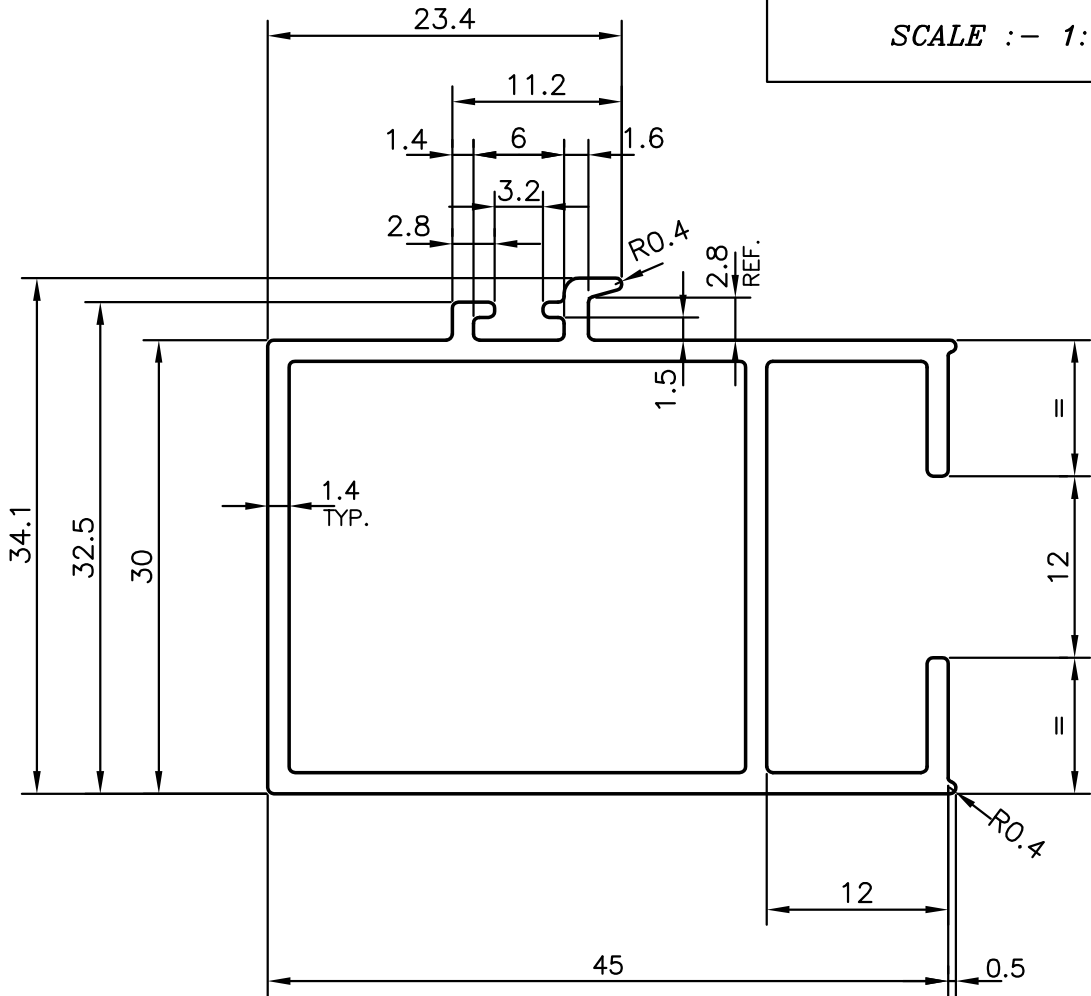
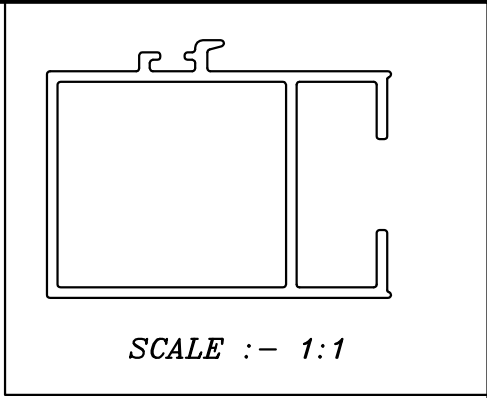



| |
|---------|
| P-11682 |
| S3299 |
| 21397 |



Q71902

| | | | | |
|---|--|-------------|-----------------|------------|
|  SYMBOL OF QUALITY AN ISO 9001 COMPANY | JINDAL ALUMINIUM LTD. BANGALORE-560073 (INDIA) | DRAWN | NAME | DATE |
| | | CHECKED | PARVESH | 25-04-2012 |
| 1. ALL DIMENSIONS ARE IN mm. 2. ROUND OFF ALL SHARP CORNERS WITH 0.40 mm. 3. TOLERANCES WILL BE AS PER IS:6477-1983, UNLESS OTHERWISE SPECIFIED | | APPROVED | J.N.RAI | 02-06-2012 |
| | | SCALE | | 2:1 |
| PARTY'S NAME SAHARA PRIME CITY LTD., GURGAON | | AREA | mm ² | 239.079 |
| | | PERIMETER | mm. | 223.659 |
| PARTY'S DRAWING No. SW5c1 | | WEIGHT | kg/m | 0.646 |
| | | DRAWING No. | SECTION No. | |
| ALLOY & TEMPER HE9 WP | | P-11682 | - | |
| | | S3299 | S3299 | |
| DESCRIPTION WINDOW SECTION | | 21397 | 21397 | |
| | | | | |