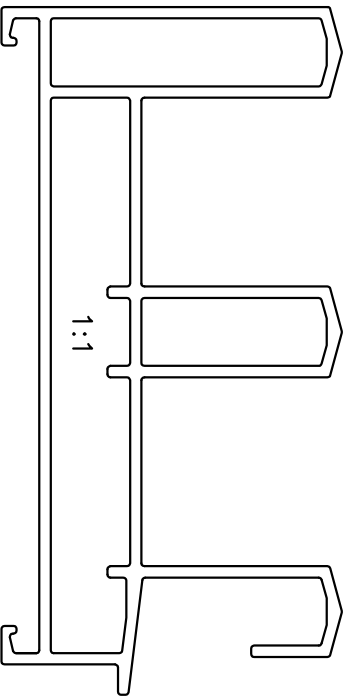
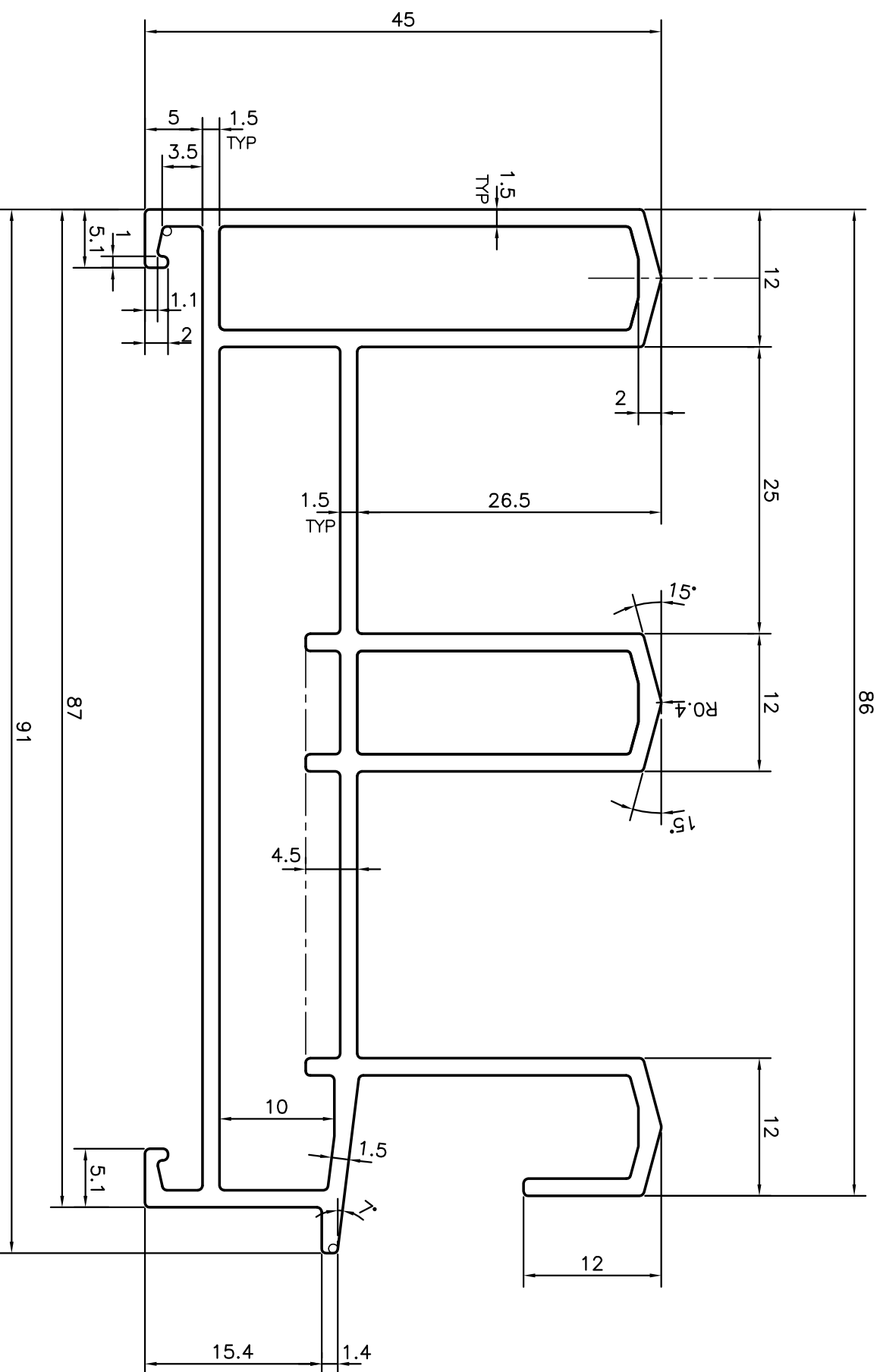



P-11978

21401



 <p>SYMBOL OF QUALITY AN ISO 9001 COMPANY</p>		<p>JINDAL ALUMINIUM LTD. BANGALORE-560073 (INDIA)</p>		<p>NAME</p> <p>J.P. KAUSHIK</p>	<p>DATE</p> <p>16-08-2012</p>
<p>1. ALL DIMENSIONS ARE IN mm. 2. ROUND OFF ALL SHARP CORNERS WITH 0.40 mm. 3. TOLERANCES WILL BE AS PER BS:EN-755-9 UNLESS OTHERWISE SPECIFIED</p>		<p>SCALE</p> <p>2:1</p>		<p>CHECKED</p>	<p>APPROVED</p>
<p>PARTY'S NAME</p> <p>GENERAL CATEGORY, BANGALORE MARKET</p>	<p>PARTY'S DRAWING No.</p> <p>6202 91x45</p>	<p>AREA mm²</p> <p>589.23</p>	<p>PERIMETER mm.</p> <p>430.145</p>	<p>S.S. GARG</p> <p>31-08-2012</p>	<p>WEIGHT kg/m</p> <p>1.591</p>
<p>ALLOY & TEMPER</p> <p>63400 WP</p>	<p>DESCRIPTION</p> <p>WINDOW SECTION</p>	<p>DRAWING No.</p> <p>P-11978</p>	<p>SECTION No.</p> <p>-</p>	<p>DRAWING No.</p> <p>21401</p>	<p>SECTION No.</p> <p>21401</p>