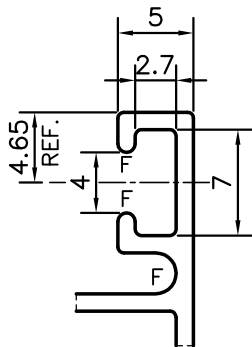
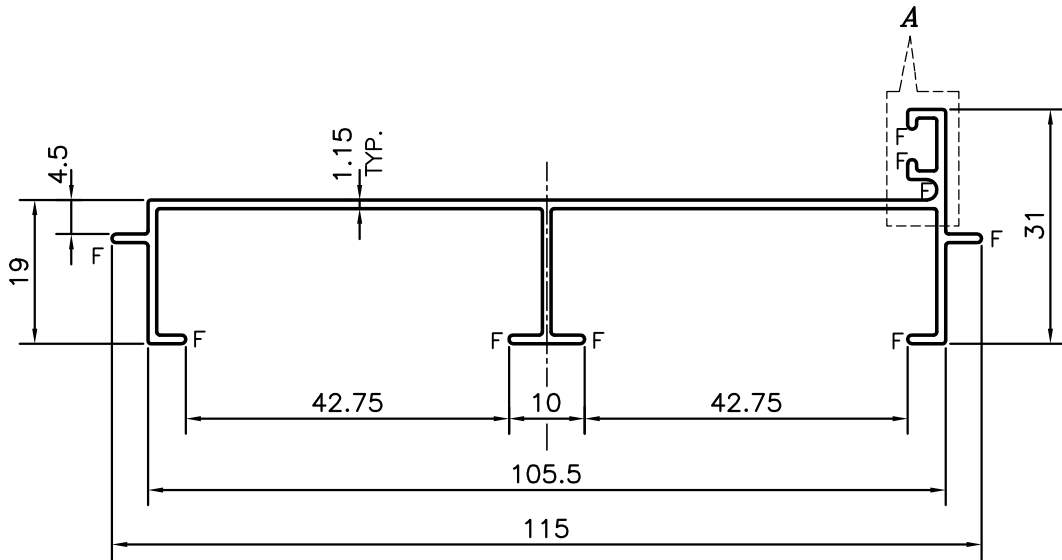



P-12512

21418



DETAIL OF "A"  
SCALE 2:1

F = FULL RADIUS (9 PLACES)

 SYMBOL OF QUALITY AN ISO 9001 COMPANY	<b>JINDAL ALUMINIUM LTD.</b> BANGALORE-560073 (INDIA)	NAME	DATE
		DRAWN	PARVESH 05-02-2013
		CHECKED	
		APPROVED	J.N.RAI 08-02-2013
		SCALE	1:1
		AREA mm <sup>2</sup>	238.96
		PERIMETER mm.	409.015
		WEIGHT kg/m	0.645
PARTY'S NAME	GENERAL CATEGORY, BANGALORE MARKET	DRAWING No.	SECTION No.
PARTY'S DRAWING No.	AS PER SAMPLE	P-12512	-
ALLOY & TEMPER	HE9 WP	21418	21418
DESCRIPTION	WINDOW SECTION		

1. ALL DIMENSIONS ARE IN mm.
2. ROUND OFF ALL SHARP CORNERS WITH 0.40 mm.
3. TOLERANCES WILL BE AS PER IS:3965-1981 , UNLESS OTHERWISE SPECIFIED