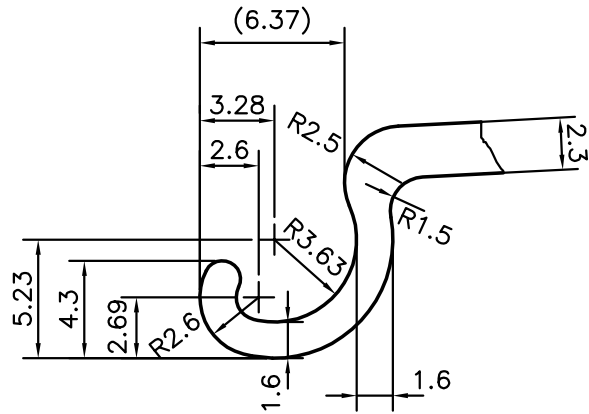
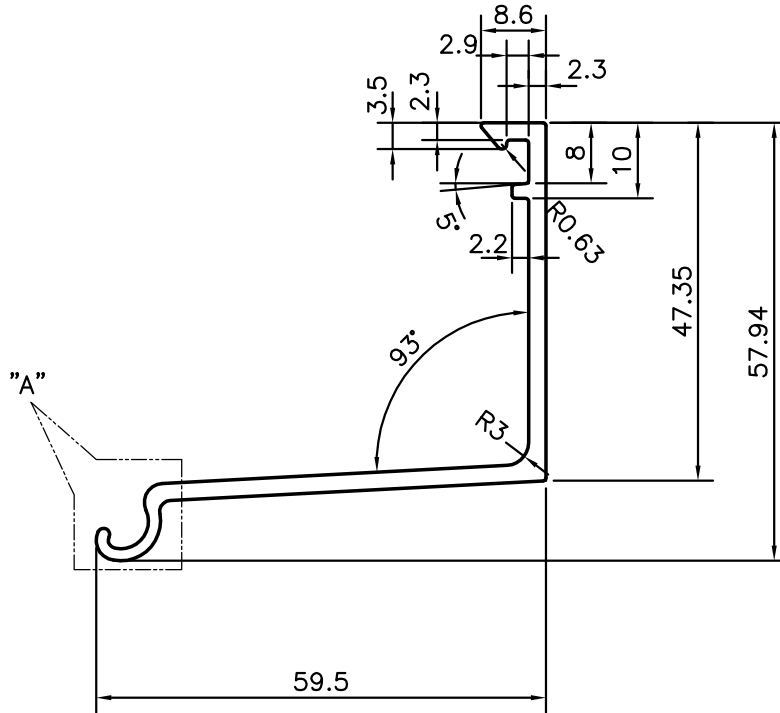


P-10513
S2753
21421



DETAIL OF "A"
SCALE 3:1



JINDAL ALUMINIUM LTD.
BANGALORE-560073 (INDIA)

	NAME	DATE
DRAWN	J.P.KAUSHIK	21-10-2010
CHECKED		
APPROVED	S.S.GARG	06-11-2010

1. ALL DIMENSIONS ARE IN mm.
2. ROUND OFF ALL SHARP CORNERS WITH 0.4 mm.
3. TOLERANCES WILL BE AS PER IS:3965-1981 UNLESS OTHERWISE SPECIFIED

SCALE	1:1
AREA mm ²	269.784
PERIMETER mm.	242.877
WEIGHT kg/m	0.728

PARTY'S NAME CONSTRUCTION SPECIALITIES INTERNATIONAL, MUMBAI

DRAWING No.	SECTION No.
P-10513	

PARTY'S DRAWING No. 77981

S2753	S2753
-------	-------

ALLOY & TEMPER 6063 T6

21421	21421
-------	-------

DESCRIPTION MISC. SECTION