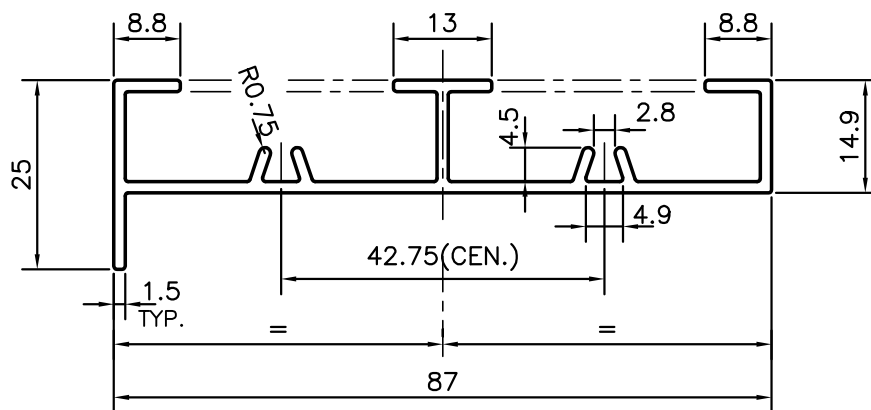


P-12630

21425



SYMBOL OF QUALITY
AN ISO 9001 COMPANY

JINDAL ALUMINIUM LTD.
BANGALORE-560073 (INDIA)

| | NAME | DATE |
|----------|-------------|------------|
| DRAWN | J.P.KAUSHIK | 23-03-2013 |
| CHECKED | | |
| APPROVED | S.S.GARG | 08-04-2013 |

1. ALL DIMENSIONS ARE IN mm.
2. ROUND OFF ALL SHARP CORNERS WITH 0.40 mm.
3. TOLERANCES WILL BE AS PER IS:3965-1981 , UNLESS OTHERWISE SPECIFIED

| | |
|----------------------|---------|
| SCALE | 1:1 |
| AREA mm ² | 272.547 |
| PERIMETER mm. | 359.018 |
| WEIGHT kg/m | 0.736 |

| | |
|---------------------|------------------------------------|
| PARTY'S NAME | GENERAL CATEGORY, BANGALORE MARKET |
| PARTY'S DRAWING No. | AS PER DRAWING |
| ALLOY & TEMPER | 63400 WP |
| DESCRIPTION | WINDOW SECTION |

| DRAWING No. | SECTION No. |
|-------------|-------------|
| P-12630 | - |
| 21425 | 21425 |
| | |
| | |