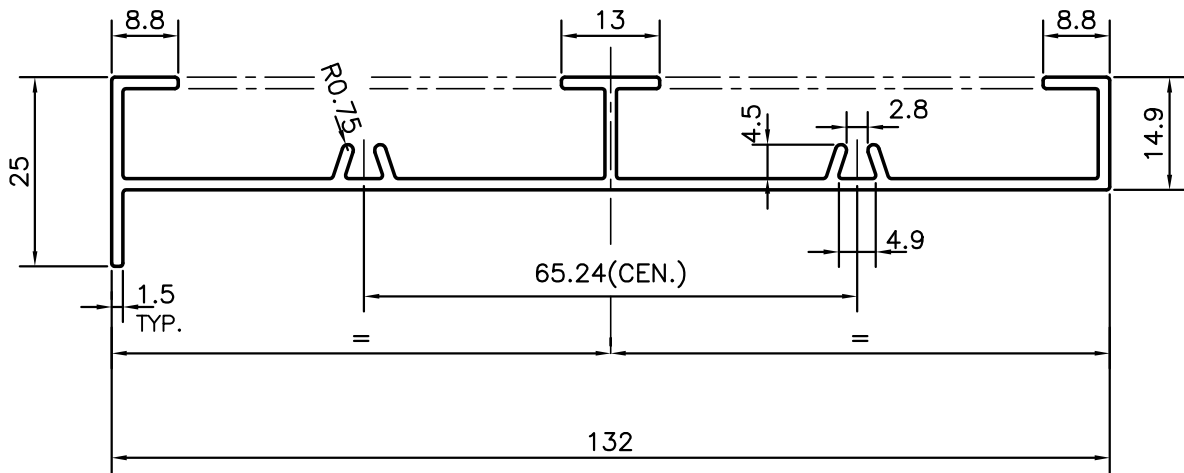


P-12631

21426



SYMBOL OF QUALITY
AN ISO 9001 COMPANY

JINDAL ALUMINIUM LTD.
BANGALORE-560073 (INDIA)

| | NAME | DATE |
|----------|-------------|------------|
| DRAWN | J.P.KAUSHIK | 23-03-2013 |
| CHECKED | | |
| APPROVED | S.S.GARG | 08-04-2013 |

1. ALL DIMENSIONS ARE IN mm.
2. ROUND OFF ALL SHARP CORNERS WITH 0.40 mm.
3. TOLERANCES WILL BE AS PER IS:3965-1981 , UNLESS OTHERWISE SPECIFIED

| | |
|----------------------|---------|
| SCALE | 1:1 |
| AREA mm ² | 340.047 |
| PERIMETER mm. | 449.018 |
| WEIGHT kg/m | 0.918 |

| | | | | | |
|---------------------|------------------------------------|-------------|---------|-------------|-------|
| PARTY'S NAME | GENERAL CATEGORY, BANGALORE MARKET | DRAWING No. | P-12631 | SECTION No. | - |
| PARTY'S DRAWING No. | AS PER DRAWING | | 21426 | | 21426 |
| ALLOY & TEMPER | 63400 WP | | | | |
| DESCRIPTION | WINDOW SECTION | | | | |