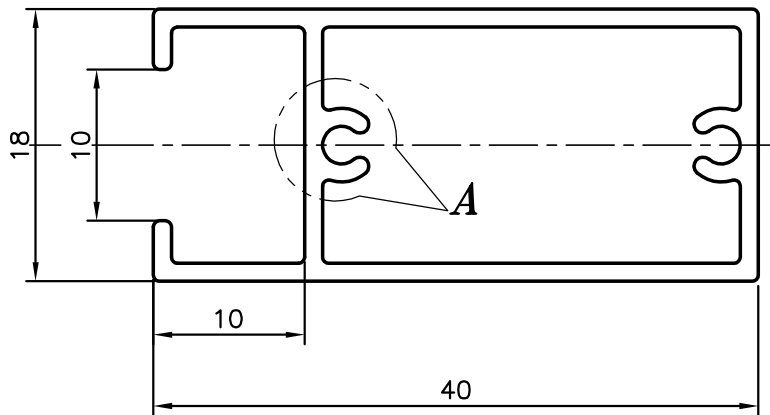
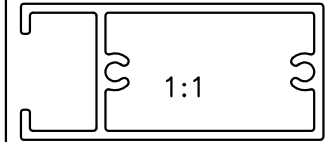
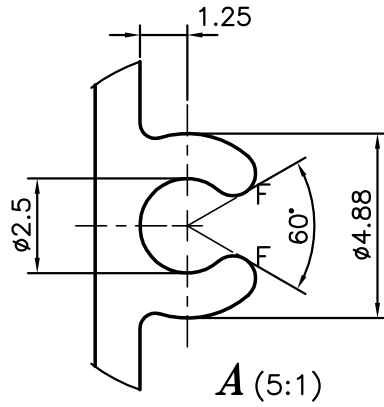


P-12719-1

S3761

21455



WEIGHT RANGE: - +0%
-6%

WEIGHT RANGE: -0.393 TO 0.418 kg/M

1. GENERAL WALL THICKNESS :- 1.19 mm.
2. F = FULL RADIUS (4)

TOLERANCES ON OVERALL WIDTHS & WIDTHS ACROSS FLATS OF BARS, & REGULAR SECTIONS

UPTO 6.40mm - ±0.20	UPTO 32.0mm - ±0.38	UPTO 120.0mm - ±0.85	UPTO 320.00mm - ±1.70
UPTO 10.0mm - ±0.23	UPTO 50.0mm - ±0.46	UPTO 160.0mm - ±1.02	
UPTO 12.0mm - ±0.25	UPTO 60.0mm - ±0.53	UPTO 200.0mm - ±1.14	
UPTO 16.0mm - ±0.28	UPTO 80.0mm - ±0.69	UPTO 250.0mm - ±1.40	
UPTO 25.0mm - ±0.30	UPTO 100.0mm - ±0.75	UPTO 300.0mm - ±1.65	



SYMBOL OF QUALITY
AN ISO 9002 COMPANY

JINDAL ALUMINIUM LTD.
BANGALORE-560073 (INDIA)

	NAME	DATE
DRAWN	J.P.KAUSHIK	13-05-2013
CHECKED		
APPROVED	S.S.GARG	17-05-2013

1. ALL DIMENSIONS ARE IN mm.
2. ROUND OFF ALL SHARP CORNERS WITH 0.40 mm.
3. TOLERANCES WILL BE AS PER IS:6477-1983 UNLESS OTHERWISE SPECIFIED

SCALE	2:1
AREA mm ²	154.654
PERIMETER mm.	145.18
WEIGHT kg/m	0.418

PARTY'S NAME	GIRDHARI LAL CONSTRUCTION PVT. LTD., BATHINDA
PARTY'S DRAWING No.	LIGHTER OF SECTION No:-20846
ALLOY & TEMPER	6063 T6
DESCRIPTION	WINDOW SECTION

DRAWING No.	SECTION No.
P-12719-1	-
S3761	S3761
21455	21455