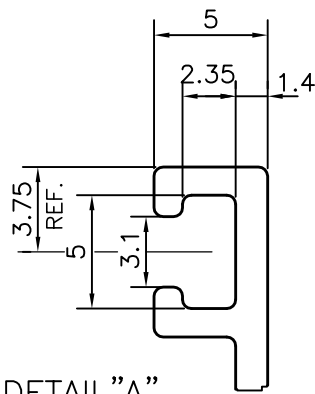
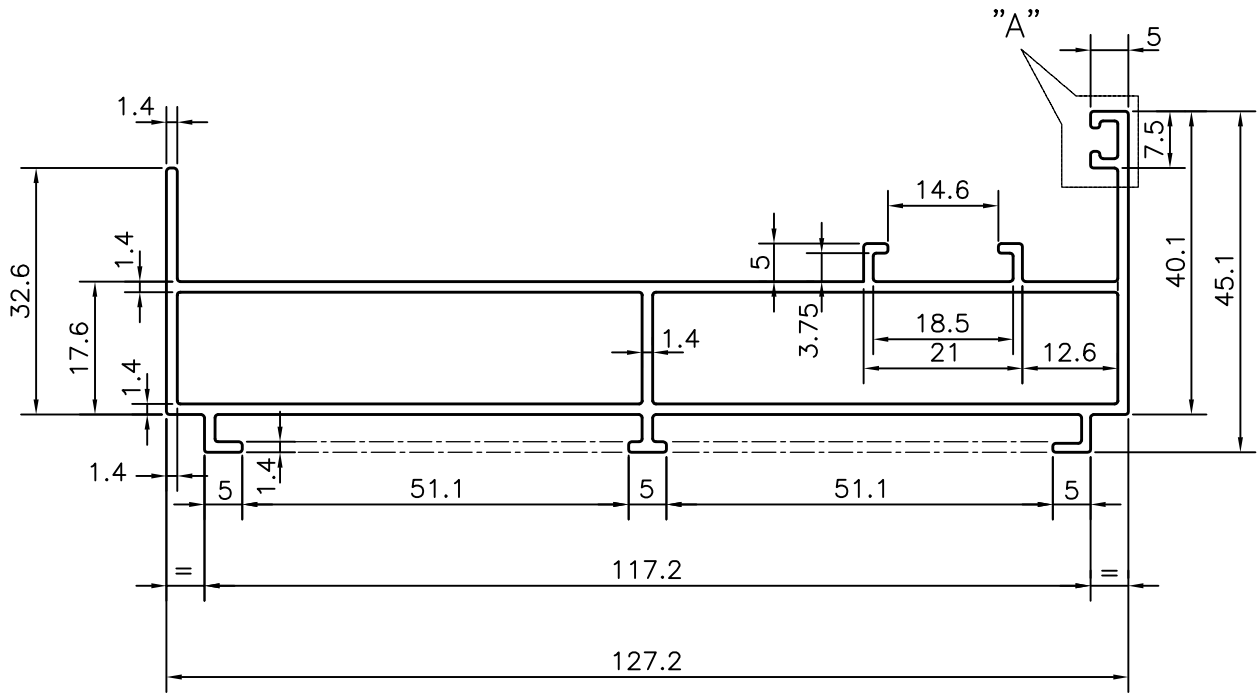



P-11673
S3279
21505



DETAIL "A"  
SCALE 3:1



Q No:-71723

 SYMBOL OF QUALITY AN ISO 9001 COMPANY	<b>JINDAL ALUMINIUM LTD.</b> BANGALORE-560073 (INDIA)	DRAWN	NAME	DATE
		CHECKED	J.P.KAUSHIK	21-04-2012
1. ALL DIMENSIONS ARE IN mm. 2. ROUND OFF ALL SHARP CORNERS WITH 0.40 mm. 3. TOLERANCES WILL BE AS PER,IS:6477-1983 UNLESS OTHERWISE SPECIFIED		APPROVED	R.G.PAREKH	17-05-2012
		SCALE		1:1
PARTY'S NAME SAHARA PRIME CITY LTD., LUCKNOW		AREA	mm <sup>2</sup>	534.313
		PERIMETER	mm.	454.188
PARTY'S DRAWING No. SD8i		WEIGHT	kg/m	1.443
		DRAWING No.	SECTION No.	
ALLOY & TEMPER HE9 WP		P-11673		-
		S3279		S3279
DESCRIPTION WINDOW SECTION		21505		21505