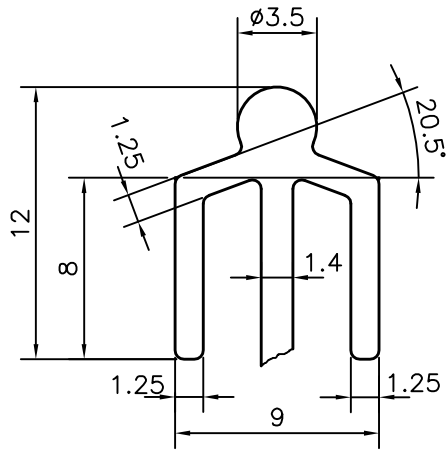


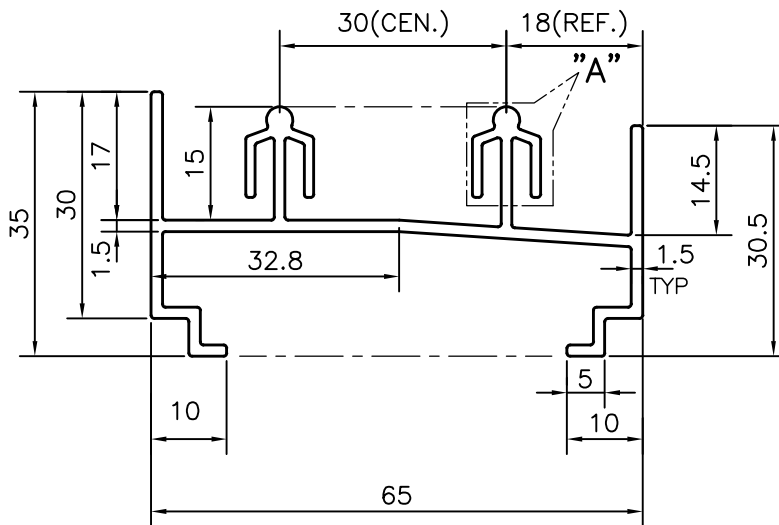
P-11732

S3321

21527



DETAIL "A"
SCALE 3:1



Q No:-71886



SYMBOL OF QUALITY
AN ISO 9001 COMPANY

JINDAL ALUMINIUM LTD.
BANGALORE-560073 (INDIA)

	NAME	DATE
DRAWN	J.P.KAUSHIK	28-04-2012
CHECKED		
APPROVED	J.N.RAI	02-06-2012

1. ALL DIMENSIONS ARE IN mm.
2. ROUND OFF ALL SHARP CORNERS WITH 0.40 mm.
3. TOLERANCES WILL BE AS PER,IS:3965-1981 UNLESS OTHERWISE SPECIFIED

SCALE	1:1
AREA mm ²	323.573
PERIMETER mm.	431.664
WEIGHT kg/m	0.874

PARTY'S NAME SAHARA PRIME CITY LTD., GURGAON

PARTY'S DRAWING No. HD9

ALLOY & TEMPER HE9 WP

DESCRIPTION WINDOW SECTION

DRAWING No. SECTION No.

P-11732

S3321

21527

-

S3321

21527