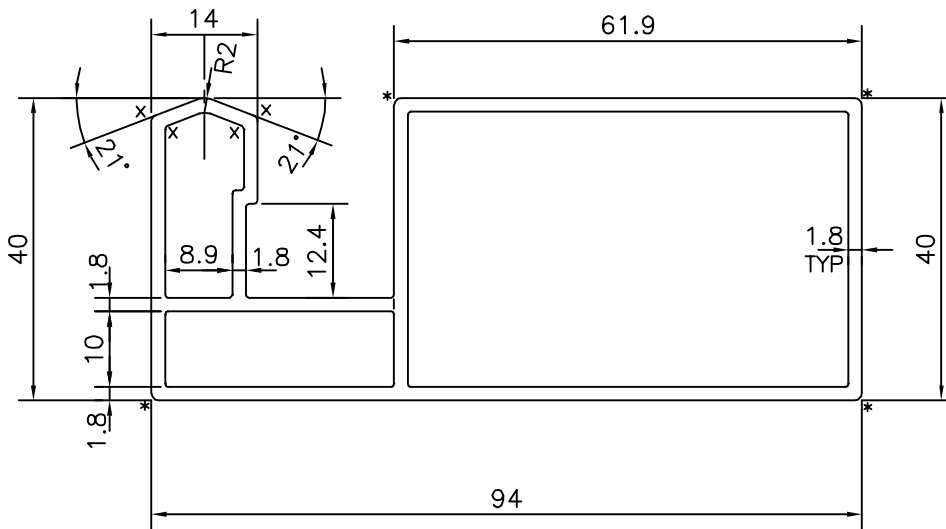


P-14257-1

21584



\* = RADIUS 1.0 (4 PLACES)

x = RADIUS 0.5 (4 PLACES)



SYMBOL OF QUALITY  
AN ISO 9001 COMPANY

**JINDAL ALUMINIUM LTD.**  
BANGALORE-560073 (INDIA)

	NAME	DATE
DRAWN	J.P.KAUSHIK	12-12-2014
CHECKED		
APPROVED	S.S.GARG	18-12-2014
SCALE		1:1
AREA mm <sup>2</sup>		596.868
PERIMETER mm.		317.063
WEIGHT kg/m		1.612
DRAWING No.	SECTION No.	
P-14257-1	-	
21584	21584	

1. ALL DIMENSIONS ARE IN mm.
2. ROUND OFF ALL SHARP CORNERS WITH 0.40 mm.
3. TOLERANCES WILL BE AS PER IS:6477-1983 UNLESS OTHERWISE SPECIFIED

PARTY'S NAME	GENERAL CATEGORY , MUMBAI MARKET
PARTY'S DRAWING No.	AS PER AutoCAD DRAWING
ALLOY & TEMPER	HE9 WP
DESCRIPTION	WINDOW SECTION