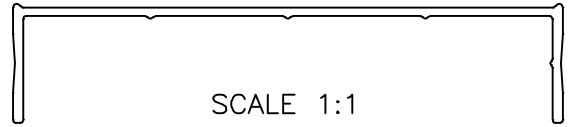


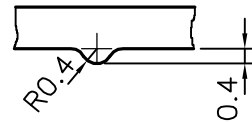
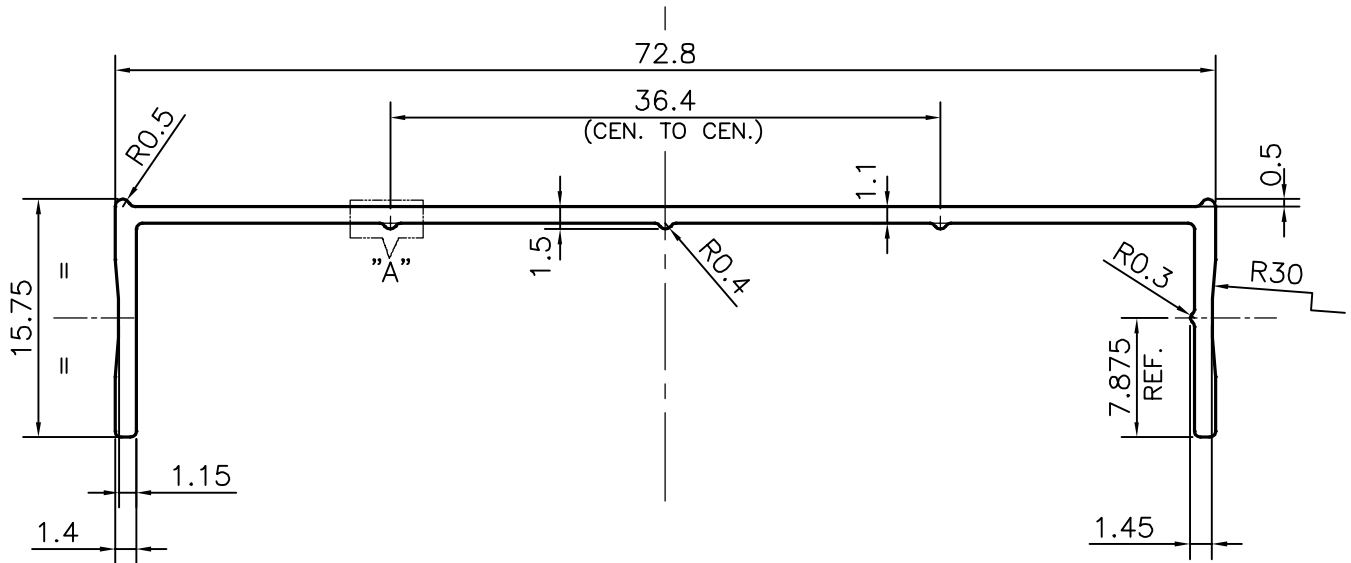
P-12821-1

S3787

21627



SCALE 1:1



DETAILS OF "A"
SCALE 5:1

TOLERANCES ON OVERALL WIDTHS & WIDTHS ACROSS FLATS OF BARS, & REGULAR SECTIONS

UPTO 6.40mm - ±0.20	UPTO 32.0mm - ±0.38	UPTO 120.0mm - ±0.85	UPTO 320.00mm - ±1.70
UPTO 10.0mm - ±0.23	UPTO 50.0mm - ±0.46	UPTO 160.0mm - ±1.02	
UPTO 12.0mm - ±0.25	UPTO 60.0mm - ±0.53	UPTO 200.0mm - ±1.14	
UPTO 16.0mm - ±0.28	UPTO 80.0mm - ±0.69	UPTO 250.0mm - ±1.40	
UPTO 25.0mm - ±0.30	UPTO 100.0mm - ±0.75	UPTO 300.0mm - ±1.65	



SYMBOL OF QUALITY
AN ISO 9001 COMPANY

JINDAL ALUMINIUM LTD.
BANGALORE-560073 (INDIA)

	NAME	DATE
DRAWN	SRIVATHSA	10-06-2013
CHECKED		
APPROVED	S.S.GARG	20-06-2013

- ALL DIMENSIONS ARE IN mm.
- ROUND OFF ALL SHARP CORNERS WITH 0.40 mm.
- TOLERANCES WILL BE AS PER IS:3965-1981, UNLESS OTHERWISE SPECIFIED

SCALE	2:1
AREA mm ²	118.861
PERIMETER mm.	205.438
WEIGHT kg/m	0.321

PARTY'S NAME	7Q INDUSTRIES PVT. LTD., CHENNAI	DRAWING No.	SECTION No.
PARTY'S DRAWING No.	AS PER SAMPLE & REQUIREMENT	P-12821-1	-
ALLOY & TEMPER	HE9 WP	S3787	S3787
DESCRIPTION	WINDOW SECTION	21627	21627