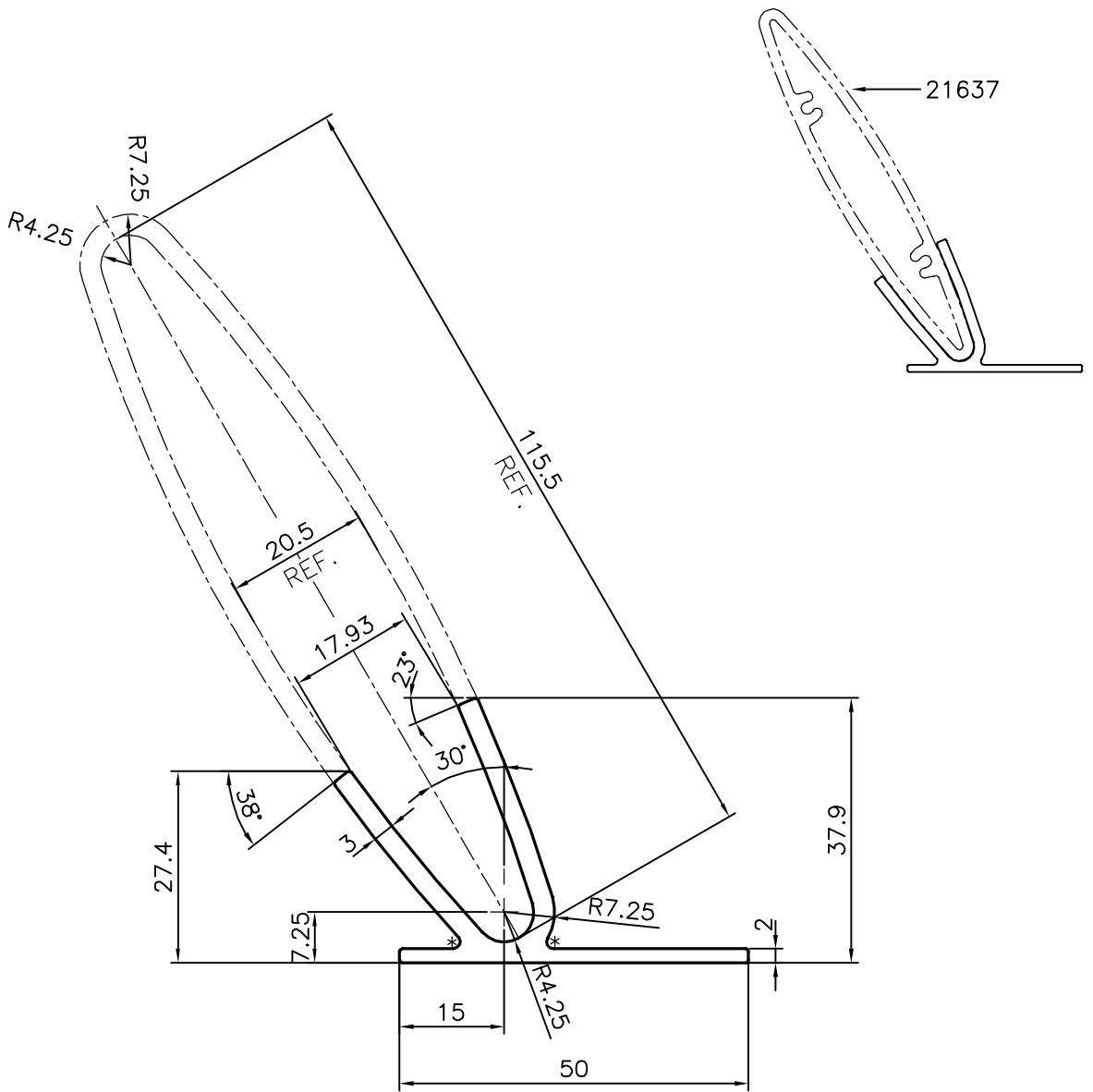


P-15188-1

21639



\* =1.0 RADIUS (2 PLACES)



SYMBOL OF QUALITY  
AN ISO 9001 COMPANY

**JINDAL ALUMINIUM LTD.**  
BANGALORE-560073 (INDIA)

	NAME	DATE
DRAWN	J.P.KAUSHIK	22-09-2015
CHECKED		
APPROVED	S.S.GARG	25-09-2015
SCALE		1:1
AREA mm <sup>2</sup>		316.273
PERIMETER mm.		235.623
WEIGHT kg/m		0.854
DRAWING No.	SECTION No.	
P-15188-1	-	
21639	21639	

1. ALL DIMENSIONS ARE IN mm.
2. ROUND OFF ALL SHARP CORNERS WITH 0.40 mm.
3. TOLERANCES WILL BE AS PER IS:3965-1981, UNLESS OTHERWISE SPECIFIED

PARTY'S NAME	GENERAL CATEGORY, COCHIN MARKET
PARTY'S DRAWING No.	AS PER AutoCAD DRAWING
ALLOY & TEMPER	HE9 WP
DESCRIPTION	LOUVER BRACKET SECTION