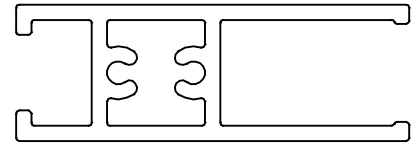
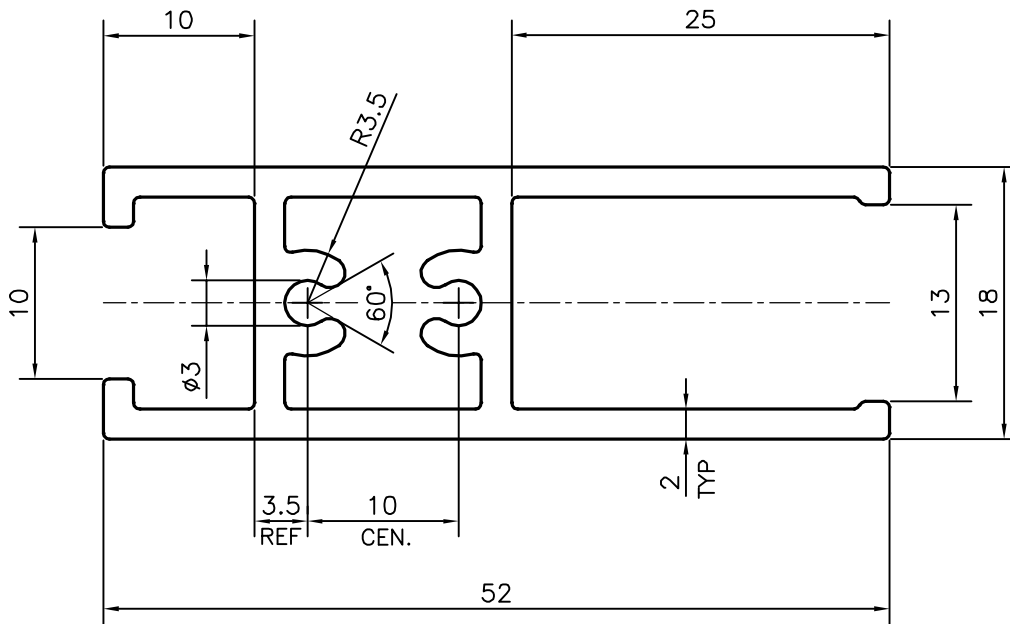


P-15525

21649



1:1



SYMBOL OF QUALITY
AN ISO 9001 COMPANY

JINDAL ALUMINIUM LTD.
BANGALORE-560073 (INDIA)

	NAME	DATE
DRAWN	J.P.KAUSHIK	20-01-2016
CHECKED		
APPROVED	S.S.GARG	28-01-2016

1. ALL DIMENSIONS ARE IN mm.
2. ROUND OFF ALL SHARP CORNERS WITH 0.40 mm.
3. TOLERANCES WILL BE AS PER IS:6477-1983 UNLESS OTHERWISE SPECIFIED

SCALE	2:1
AREA mm ²	306.528
PERIMETER mm.	216.668
WEIGHT kg/m	0.828

PARTY'S NAME	GENERAL CATEGORY, DELHI MARKET	DRAWING No.	P-15525	SECTION No.	-
PARTY'S DRAWING No.	HEAVIER OF SECTION No:-20750		21649		21649
ALLOY & TEMPER	HE9 WP				
DESCRIPTION	WINDOW SECTION				