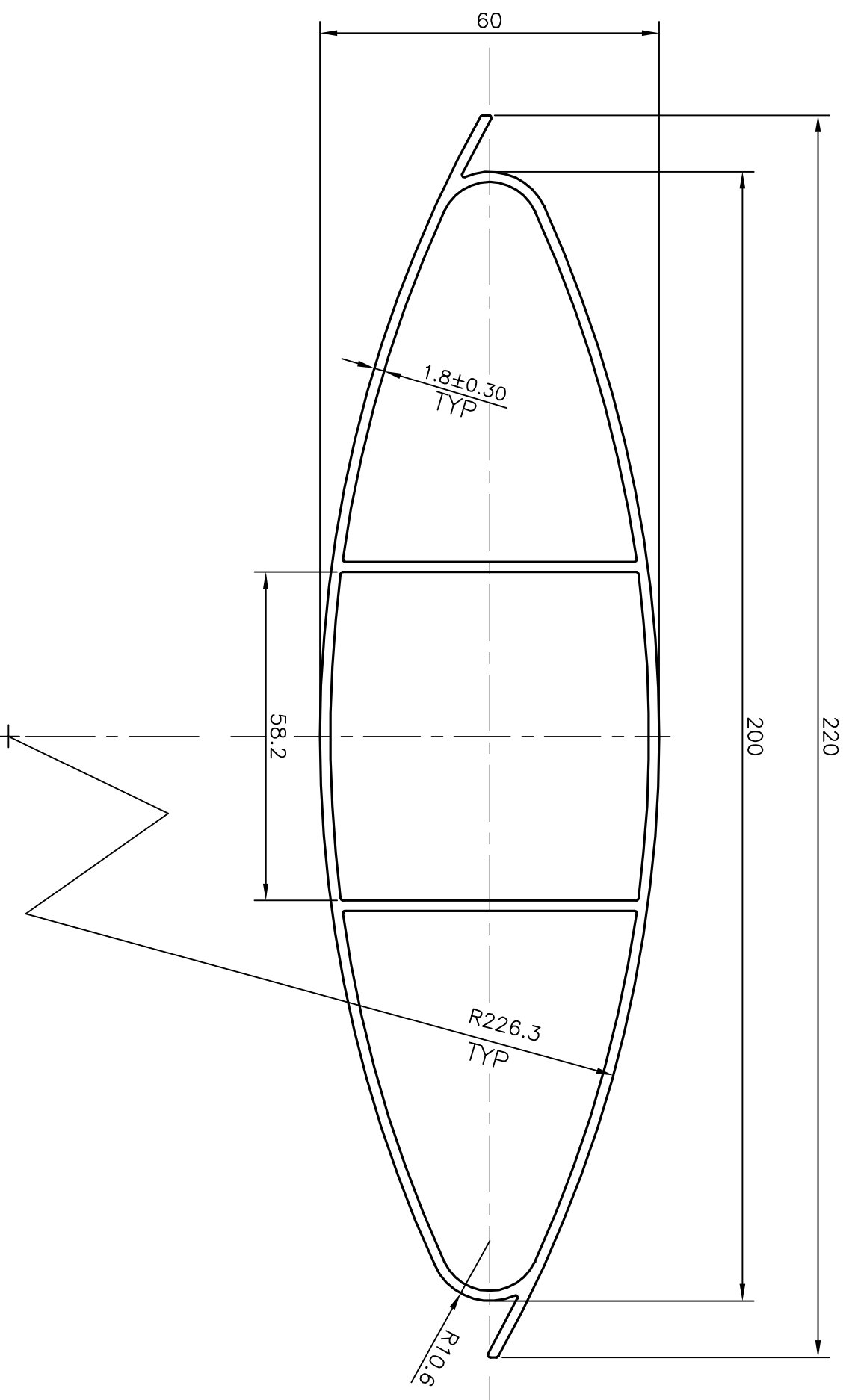



P-14403
S4383
21652



 SYMBOL OF QUALITY AN ISO 9001 COMPANY	JINDAL ALUMINIUM LTD. BANGALORE-560073 (INDIA)		NAME J.P. KAUSHIK	DATE 03-02-2015
	1. ALL DIMENSIONS ARE IN mm. 2. ROUND OFF ALL SHARP CORNERS WITH 0.40 mm. 3. TOLERANCES WILL BE AS PER IS:6477-1983 UNLESS OTHERWISE SPECIFIED		CHECKED APPROVED S.S.GARG	SCALE 1:1
PARTY'S NAME CONSTRUCTION CATALYSERS PVT. LTD., PUNE	PARTY'S DRAWING No. AS PER DRAWING		AREA mm ² 1014.711	PERIMETER mm. 484.882
PARTY'S DRAWING No. HE9 WP	ALLOY & TEMPER HE9 WP		WEIGHT kg/m 2.740	DRAWING No. P-14403
DESCRIPTION MISC. SECTION	DRAWING No. S4383 21652		SECTION No. - S4383 21652	