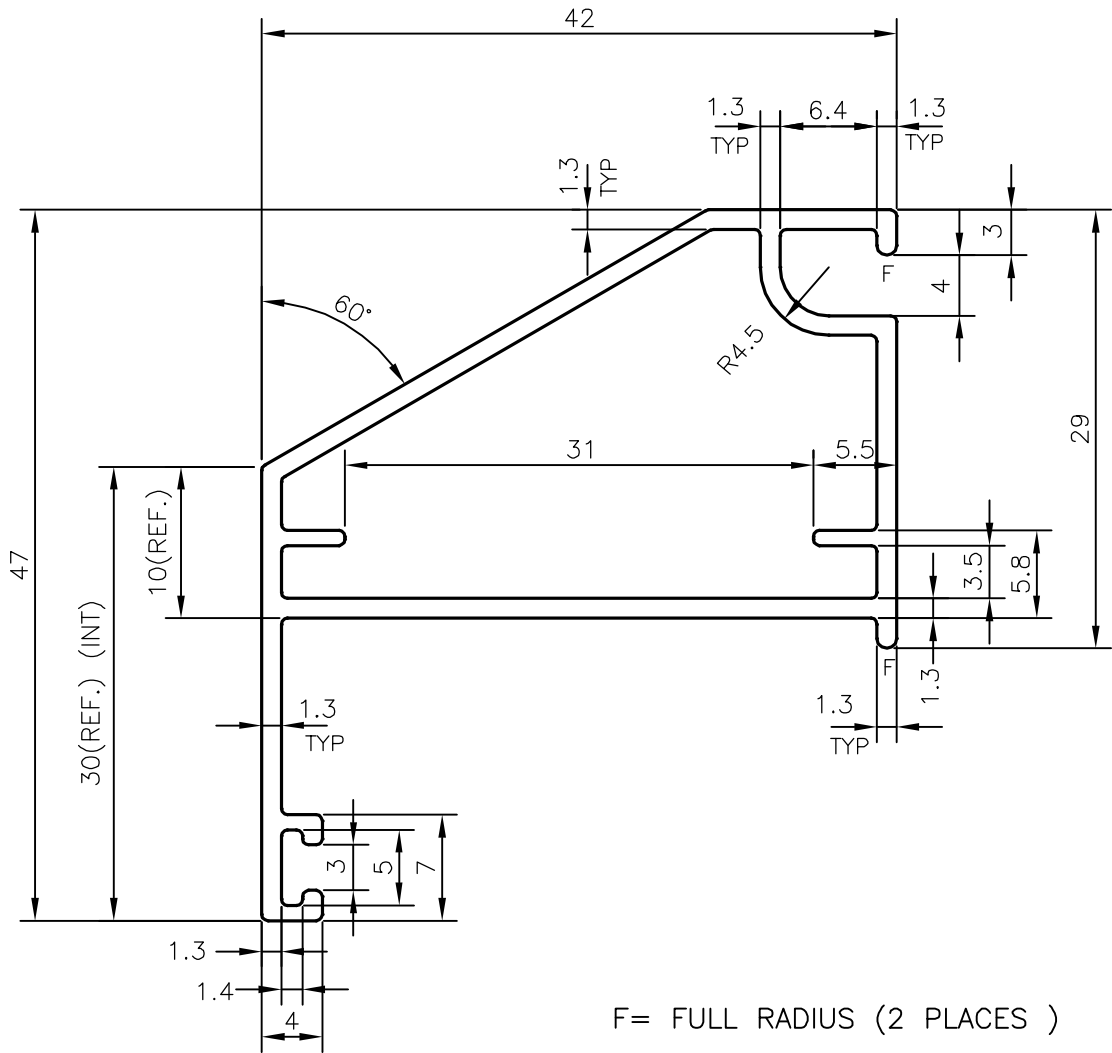
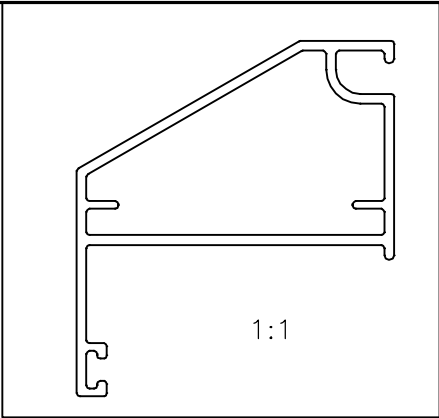



P-10906-2
S2968
21667



F= FULL RADIUS (2 PLACES)

 SYMBOL OF QUALITY AN ISO 9001 COMPANY	JINDAL ALUMINIUM LTD. BANGALORE-560073 (INDIA)	NAME	DATE
		DRAWN	J.P.KAUSHIK
		CHECKED	
		APPROVED	S.S.GARG
		SCALE	2:1
		AREA mm ²	210
		PERIMETER mm.	197.528
		WEIGHT kg/m	0.569
PARTY'S NAME	DG-MAP, NEW DELHI	DRAWING No.	SECTION No.
PARTY'S DRAWING No.	DGM-16	P-10906-2	-
ALLOY & TEMPER	HE9 WP	S2968	S2968
		21667	21667
DESCRIPTION	WINDOW SECTION (WIREMESH SHUTTER)		