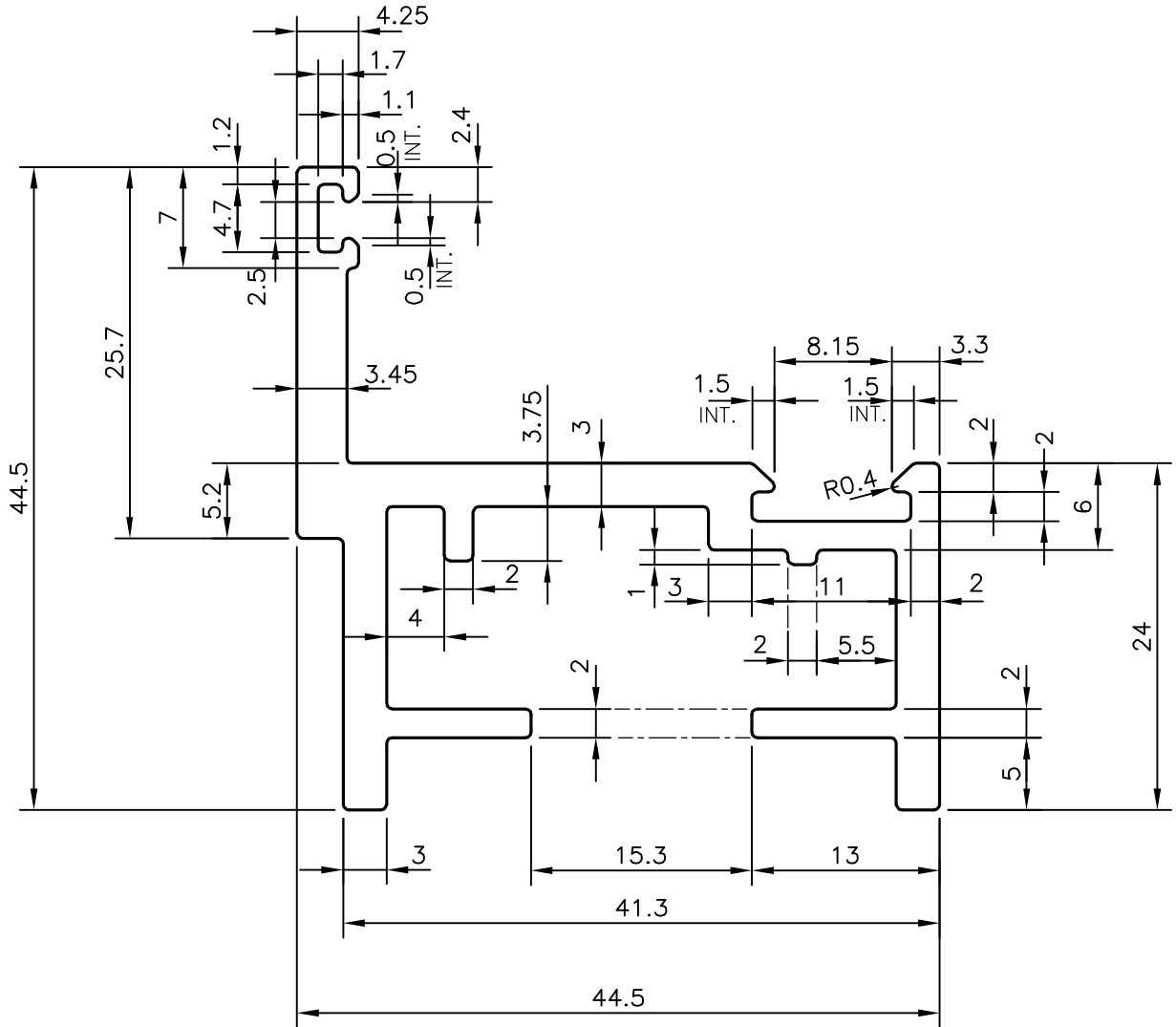
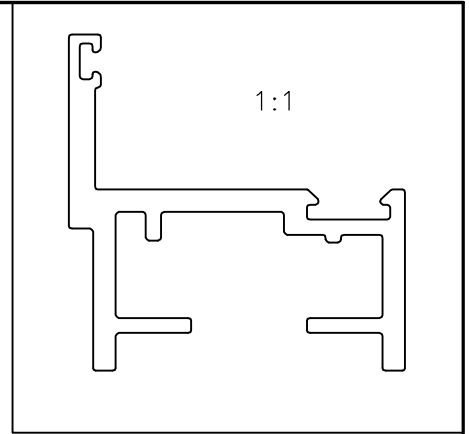
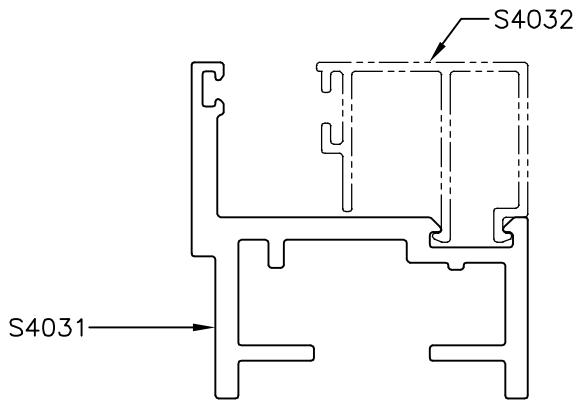


P-13413-1
S4031
21694



JINDAL ALUMINIUM LTD.
BANGALORE-560073 (INDIA)

	NAME	DATE
DRAWN	J.P.KAUSHIK	18-02-2014
CHECKED		
APPROVED	S.S.GARG	18-02-2014
SCALE		2:1
AREA mm ²		379.882
PERIMETER mm.		284.783
WEIGHT kg/m		1.026

1. ALL DIMENSIONS ARE IN mm.
2. ROUND OFF ALL SHARP CORNERS WITH 0.40 mm.
3. TOLERANCES WILL BE AS PER IS:3965-1981, UNLESS OTHERWISE SPECIFIED

PARTY'S NAME	HATIM GLAZING & CLADDING PVT LTD., MUMBAI
PARTY'S DRAWING No.	AS PER AutoCad DRAWING
ALLOY & TEMPER	HE9 WP
DESCRIPTION	WINDOW SECTION

DRAWING No.	SECTION No.
P-13413-1	-
S4031	S4031
21694	21694