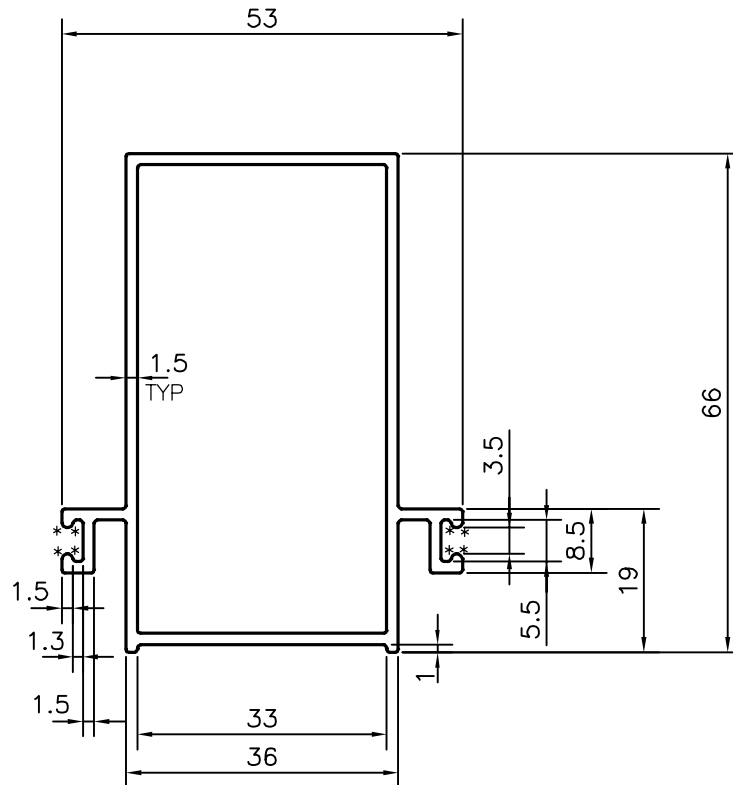
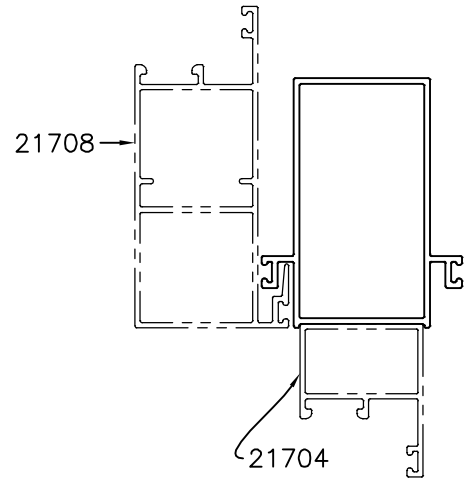


P-16083

21711



\* = 0.60 RADIUS (8 PLACES)



SYMBOL OF QUALITY  
AN ISO 9001 COMPANY

**JINDAL ALUMINIUM LTD.**  
BANGALORE-560073 (INDIA)

	NAME	DATE
DRAWN	J.P.KAUSHIK	05-07-2016
CHECKED		
APPROVED	S.S. GARG	13-07-2016
SCALE		1:1
AREA mm <sup>2</sup>		357.557
PERIMETER mm.		280.333
WEIGHT kg/m		0.965
DRAWING No.	SECTION No.	
P-16083	-	
21711	21711	

1. ALL DIMENSIONS ARE IN mm.
2. ROUND OFF ALL SHARP CORNERS WITH 0.40 mm.
3. TOLERANCES WILL BE AS PER IS:6477-1983 , UNLESS OTHERWISE SPECIFIED

PARTY'S NAME	GENERAL CATEGORY, DELHI MARKET
PARTY'S DRAWING No.	AS PER DRAWING
ALLOY & TEMPER	HE9 WP
DESCRIPTION	WINDOW SECTION