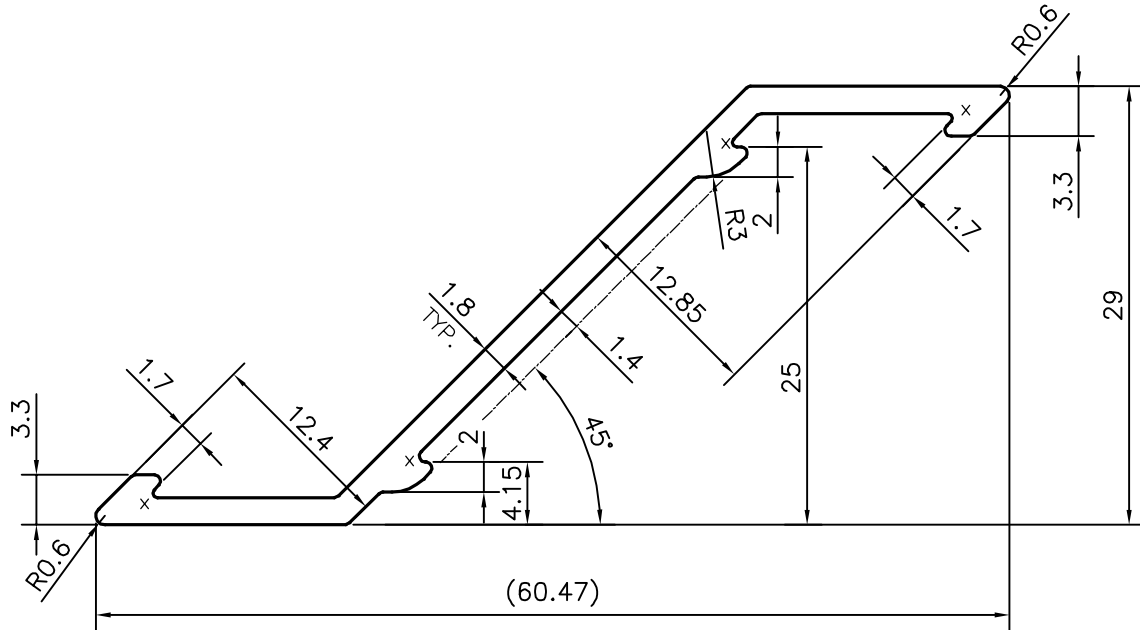
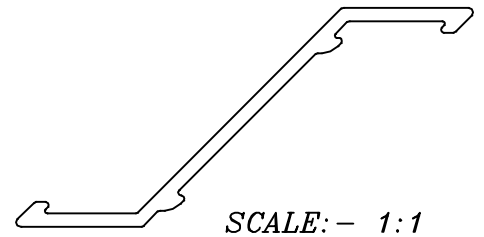
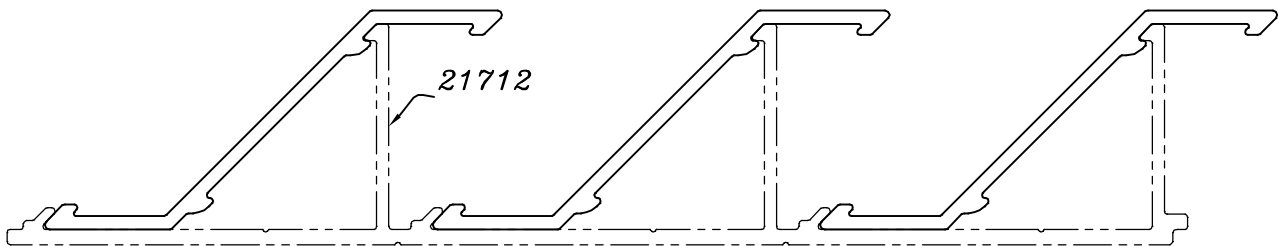


P-15945

21713



X = RADIUS 0.3 mm. (4 PLACES)



SYMBOL OF QUALITY  
AN ISO 9001 COMPANY

**JINDAL ALUMINIUM LTD.**  
BANGALORE-560073 (INDIA)

	NAME	DATE
DRAWN	PARVESH	15-06-2016
CHECKED		
APPROVED	S.S. GARG	22-07-2016
SCALE		2:1
AREA mm <sup>2</sup>		142.529
PERIMETER mm.		154.224
WEIGHT kg/m		0.385
DRAWING No.	SECTION No.	
P-15945	-	
21713	21713	

1. ALL DIMENSIONS ARE IN mm.
2. ROUND OFF ALL SHARP CORNERS WITH 0.40 mm.
3. TOLERANCES WILL BE AS PER IS:3965-1981 , UNLESS OTHERWISE SPECIFIED

PARTY'S NAME	GENERAL CATEGORY, DELHI MARKET
PARTY'S DRAWING No.	AS PER SAMPLE
ALLOY & TEMPER	HE9 WP
DESCRIPTION	LOUVER SECTION