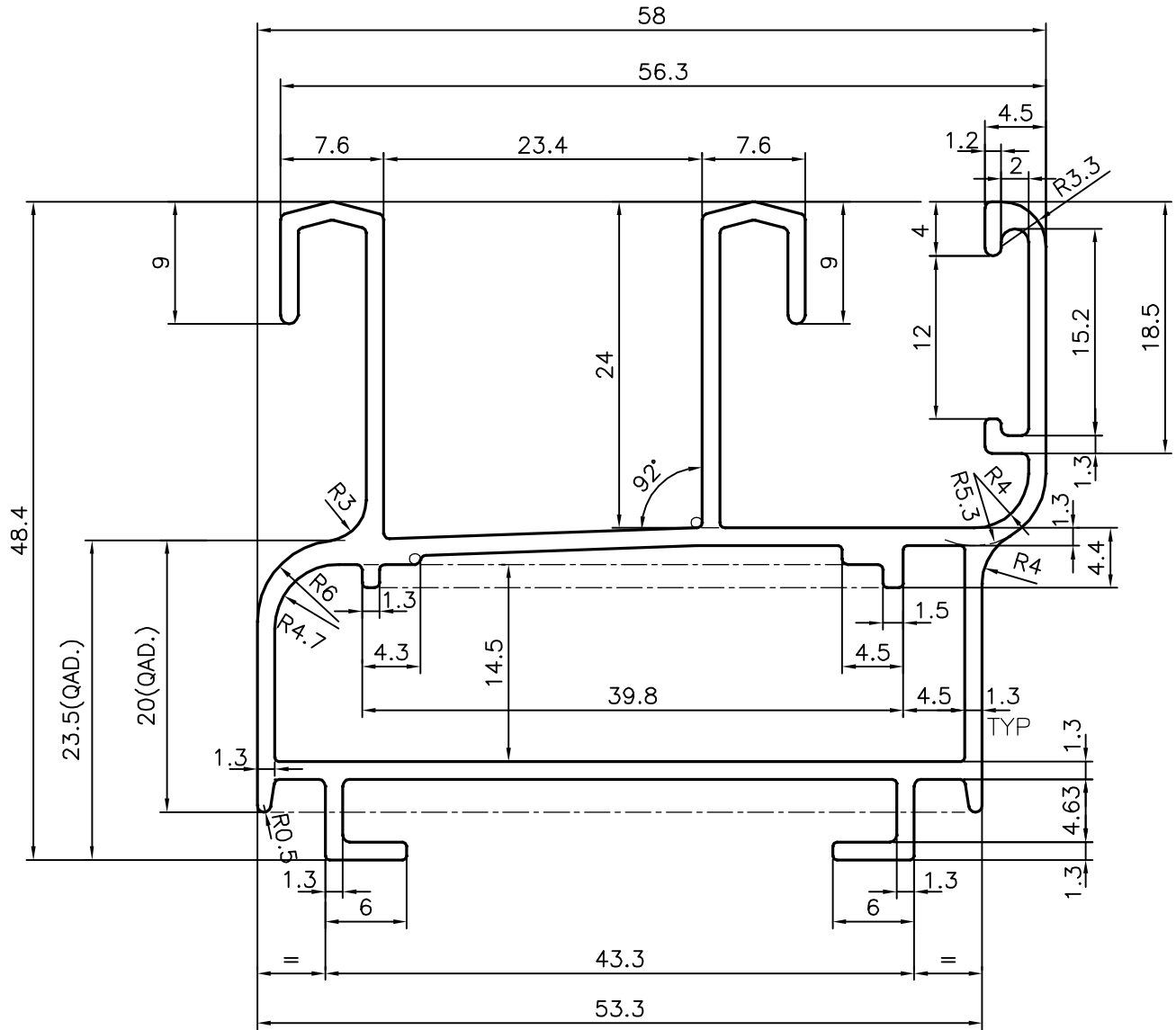
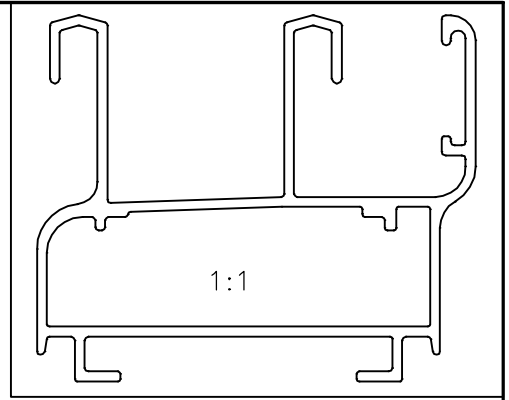


P-15736

S4902

21733



SYMBOL OF QUALITY
AN ISO 9001 COMPANY

JINDAL ALUMINIUM LTD.
BANGALORE-560073 (INDIA)

	NAME	DATE
DRAWN	J.P.KAUSHIK	06-04-2016
CHECKED		
APPROVED	B. NATARAJ	09-04-2016

1. ALL DIMENSIONS ARE IN mm.
2. ROUND OFF ALL SHARP CORNERS WITH 0.40 mm.
3. TOLERANCES WILL BE AS PER IS:6477-1983, UNLESS OTHERWISE SPECIFIED

SCALE	2:1
AREA mm ²	371.214
PERIMETER mm.	400.618
WEIGHT kg/m	1.002

PARTY'S NAME FULL SPACE INTERIORS, MUMBAI

DRAWING No.	SECTION No.
-------------	-------------

PARTY'S DRAWING No. AS PER AutoCAD DRAWING

P-15736 -

ALLOY & TEMPER 6063 T6

S4902 S4902

DESCRIPTION WINDOW SECTION

21733 21733