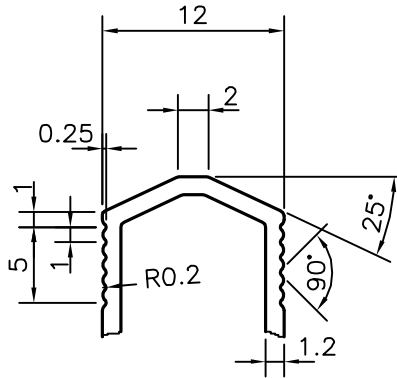


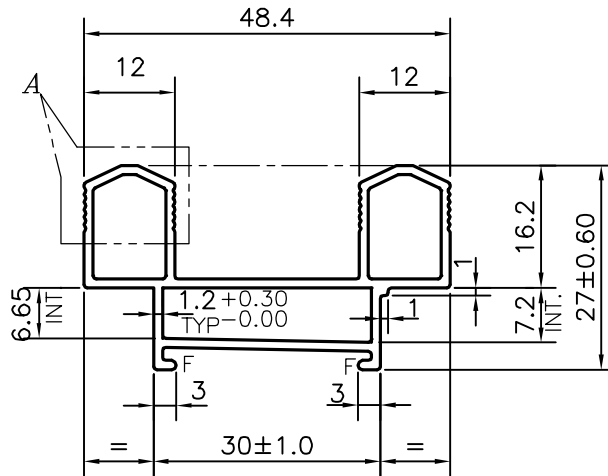
P-14417

S4385

21746



DETAIL OF "A"  
SCALE 2:1



F = FULL RADIUS(2 PLACES)



SYMBOL OF QUALITY  
AN ISO 9001 COMPANY

**JINDAL ALUMINIUM LTD.**  
BANGALORE-560073 (INDIA)

	NAME	DATE
DRAWN	J.P.KAUSHIK	09-02-2015
CHECKED		
APPROVED	S.S.GARG	11-02-2015
SCALE		1:1
AREA	mm <sup>2</sup>	206.969
PERIMETER	mm.	186.324
WEIGHT	kg/m	0.559
DRAWING No.	SECTION No.	
P-14417	-	
S4385	S4385	
21746	21746	

1. ALL DIMENSIONS ARE IN mm.
2. ROUND OFF ALL SHARP CORNERS WITH 0.40 mm.
3. TOLERANCES WILL BE AS PER IS:6477-1983 , UNLESS OTHERWISE SPECIFIED

PARTY'S NAME	PARAMOUNT INDUSTRIES, BANGALORE
PARTY'S DRAWING No.	P-AL172416LWA
ALLOY & TEMPER	HE9 WP
DESCRIPTION	WINDOW SECTION