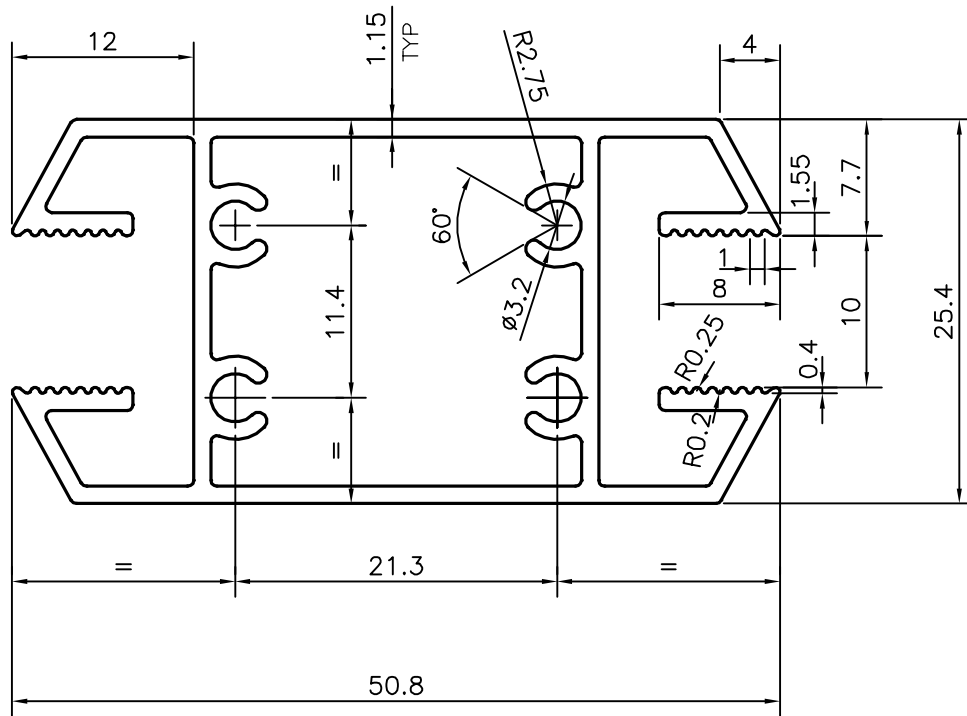
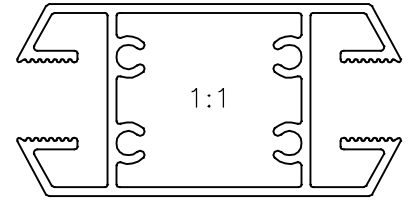


P-15927

21750



SYMBOL OF QUALITY
AN ISO 9001 COMPANY

JINDAL ALUMINIUM LTD.
BANGALORE-560073 (INDIA)

	NAME	DATE
DRAWN	J.P.KAUSHIK	04-06-2016
CHECKED		
APPROVED	B.NATARAJA	14-06-2017
SCALE		2:1
AREA mm ²		259.688
PERIMETER mm.		285.848
WEIGHT kg/m		0.701
DRAWING No.	SECTION No.	
P-15927	-	
21750	21750	

- ALL DIMENSIONS ARE IN mm.
- ROUND OFF ALL SHARP CORNERS WITH 0.40 mm.
- TOLERANCES WILL BE AS PER,IS:6477-1983 UNLESS OTHERWISE SPECIFIED

PARTY'S NAME	GENERAL CATEGORY, DELHI MARKET
PARTY'S DRAWING No.	MODIFIED OF 20801
ALLOY & TEMPER	HE9 WP
DESCRIPTION	WINDOW SECTION