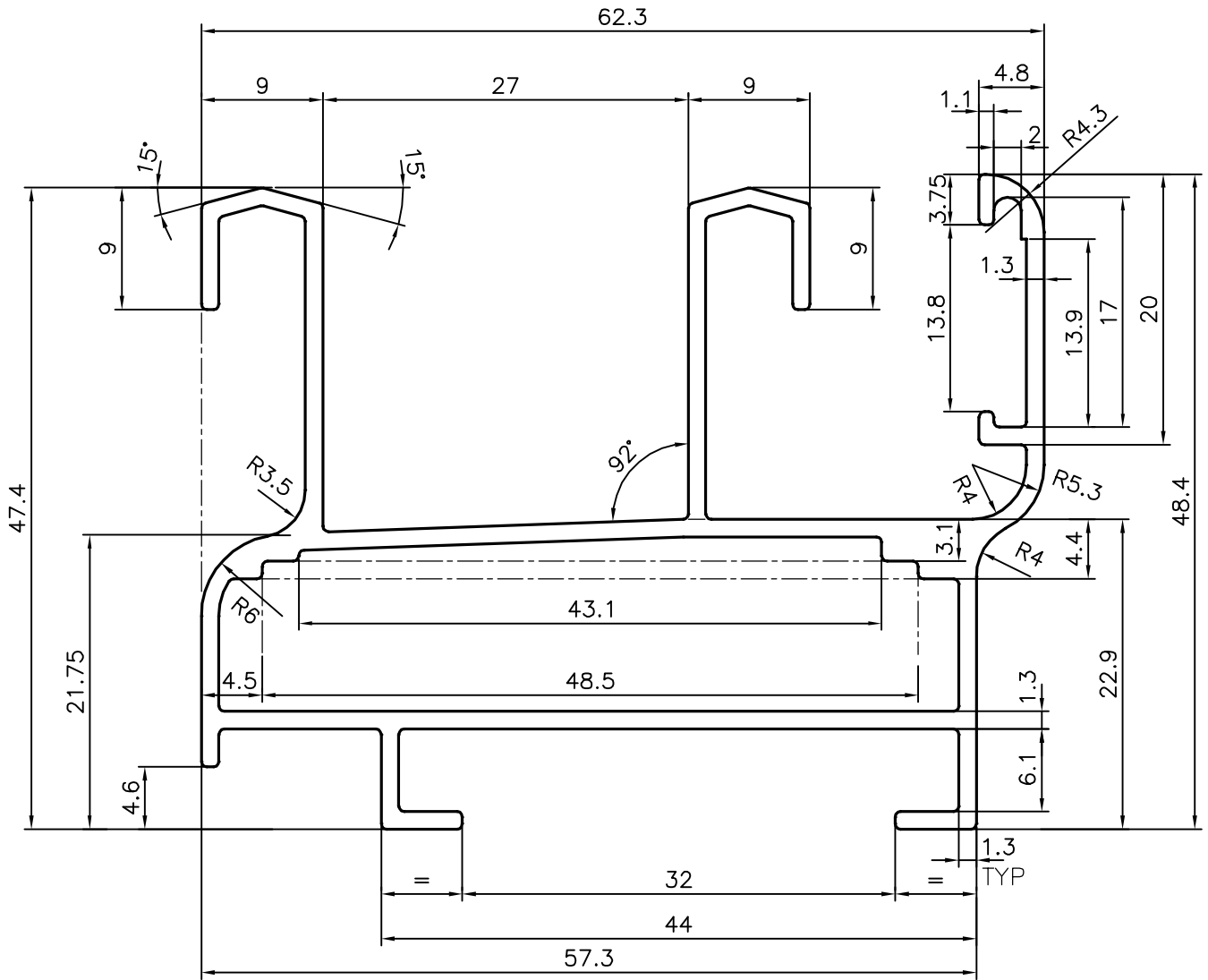
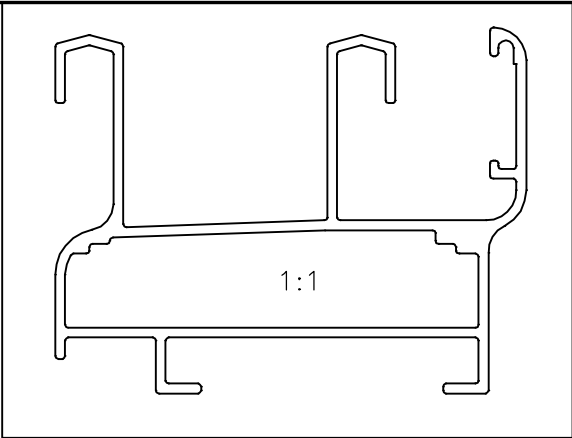



P-14859-1
S4554
21755



 SYMBOL OF QUALITY AN ISO 9001 COMPANY	JINDAL ALUMINIUM LTD. BANGALORE-560073 (INDIA)	NAME	DATE
		DRAWN	J.P.KAUSHIK 16-07-2015
		CHECKED	
		APPROVED	S.S.GARG 30-07-2015
1. ALL DIMENSIONS ARE IN mm. 2. ROUND OFF ALL SHARP CORNERS WITH 0.40 mm. 3. TOLERANCES WILL BE AS PER IS:6477-1983, UNLESS OTHERWISE SPECIFIED		SCALE	2:1
		AREA mm ²	383.77
		PERIMETER mm.	416.957
PARTY'S NAME	FULL SPACE INTERIORS, MUMBAI	WEIGHT kg/m	1.036
PARTY'S DRAWING No.	AS PER SAMPLE	DRAWING No.	SECTION No.
ALLOY & TEMPER	HE9 WP	P-14859-1	-
DESCRIPTION	WINDOW SECTION	S4554	S4554
		21755	21755