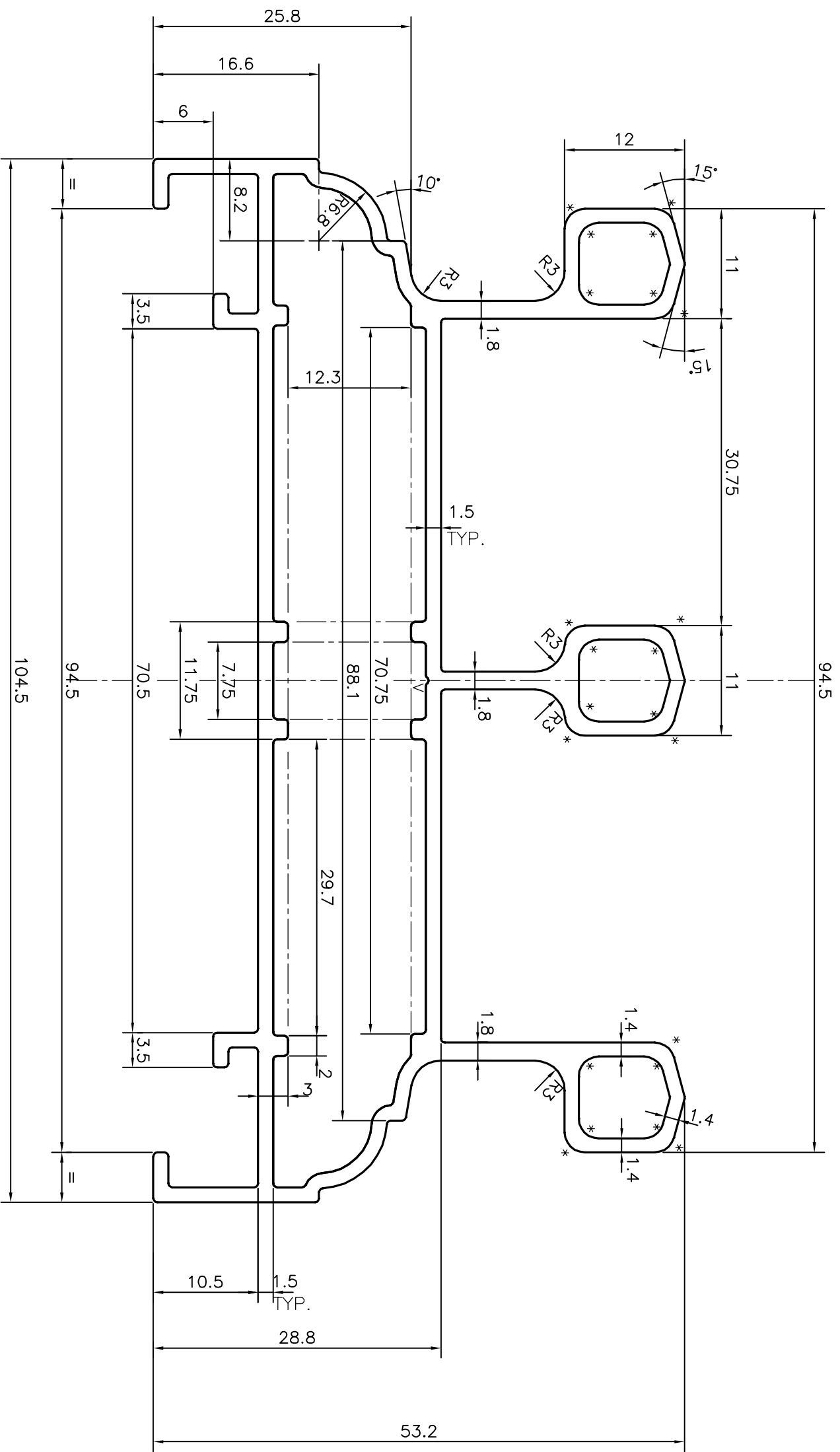
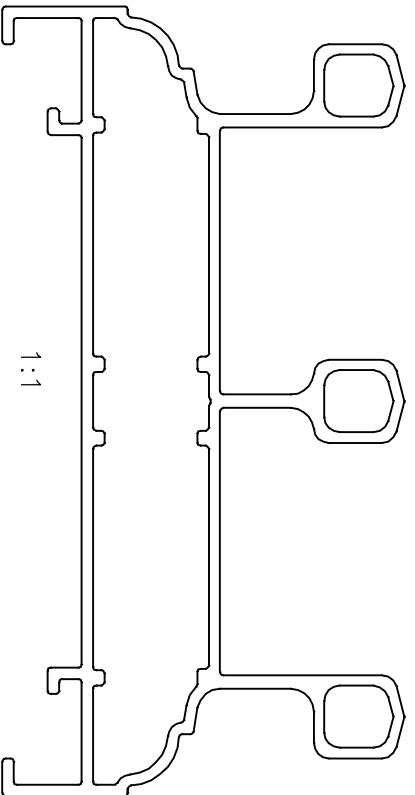



P-14909-2
S4585
21780



V = V GROOVE 0.30x90°
* = 2.0 RADIUS (22 PLACES)



 SYMBOL OF QUALITY AN ISO 9001 COMPANY		JINDAL ALUMINIUM LTD. BANGALORE-560073 (INDIA)		DRAWN	J.P.KAUSHIK	DATE	19-08-2015				
				CHECKED							
1. ALL DIMENSIONS ARE IN mm. 2. ROUND OFF ALL SHARP CORNERS WITH 0.40 mm. 3. TOLERANCES WILL BE AS PER IS:6477-1983, UNLESS OTHERWISE SPECIFIED		PARTY'S NAME KARAM DASS NIRASHI, MANDI		APPROVED	S.S.GARG		21-08-2015				
				SCALE			2:1				
PARTY'S DRAWING No. SW-2		AREA mm ² 664.498		PERIMETER mm. 495.196		WEIGHT kg/m 1.794		DRAWING No.	P-14909-2	SECTION No.	-
								ALLOY & TEMPER	6063 T6		S4585
DESCRIPTION WINDOW SECTION								DRAWING No.	21780	SECTION No.	21780