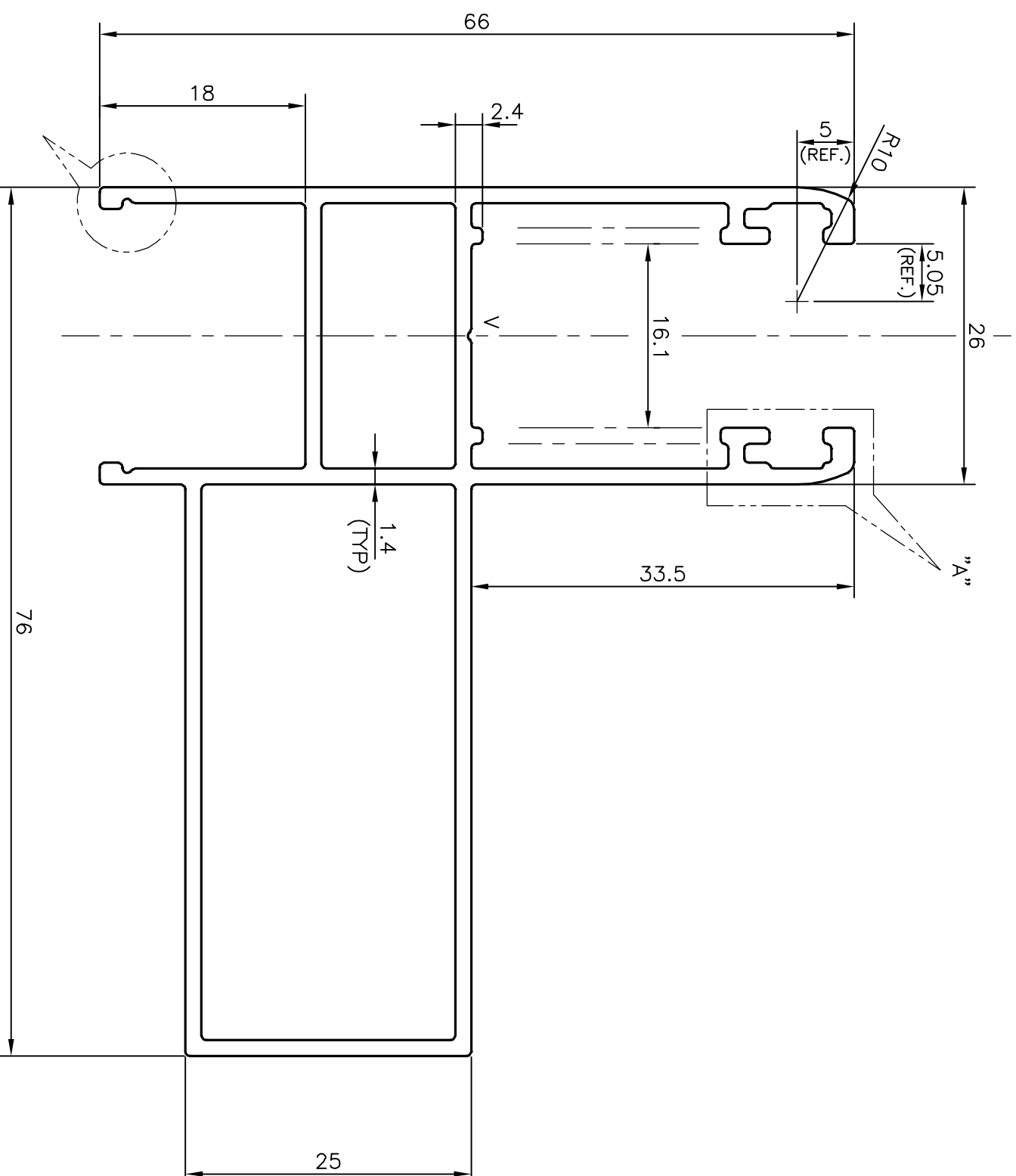
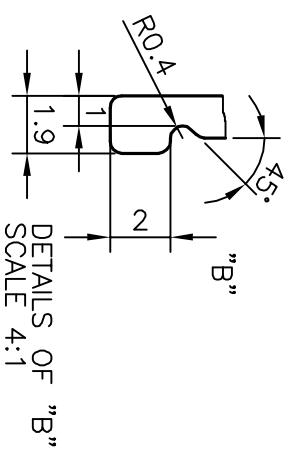
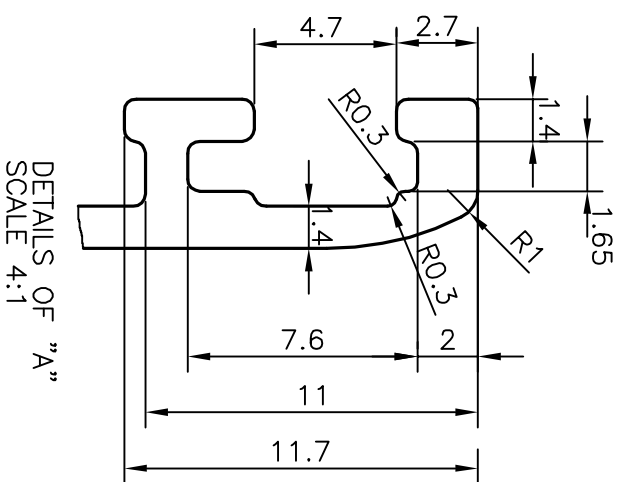
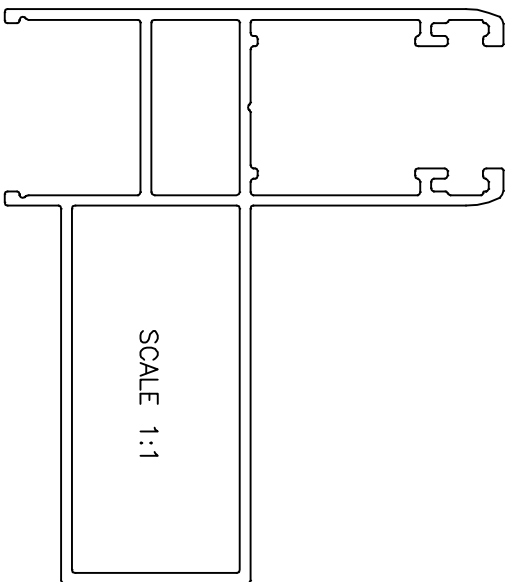



P-18554

21810



V = VEE-GROOVE 0.3x90° (1 PLACE)



 <p>SYMBOL OF QUALITY AN ISO 9001 COMPANY</p>		<p><b>JINDAL ALUMINIUM LTD.</b> BANGALORE-560073 (INDIA)</p>		<p>DRAWN</p>	<p>NAME</p>	<p>DATE</p>
				<p>CHECKED</p>	<p>J.P. KAUSHIK</p>	<p>10-08-2018</p>
<p>1. ALL DIMENSIONS ARE IN mm. 2. ROUND OFF ALL SHARP CORNERS WITH 0.40 mm. 3. TOLERANCES WILL BE AS PER IS:6477-1983 UNLESS OTHERWISE SPECIFIED</p>		<p>APPROVED</p>	<p>B. MATARAJA</p>	<p>08-08-2018</p>		
<p>PARTY'S NAME</p>		<p>GENERAL CATEGORY, MUMBAI MARKET</p>		<p>SCALE</p>	<p>2:1</p>	
<p>PARTY'S DRAWING No.</p>		<p>AS PER DRAWING</p>		<p>AREA mm<sup>2</sup></p>	<p>457.752</p>	
<p>ALLOY &amp; TEMPER</p>		<p>HE9 WP</p>		<p>PERIMETER mm.</p>	<p>425.083</p>	
<p>DESCRIPTION</p>		<p>WINDOW SECTION</p>		<p>WEIGHT kg/m</p>	<p>1.236</p>	
		<p>DRAWING No.</p>	<p>-</p>	<p>SECTION No.</p>		
		<p>P-18554</p>	<p>-</p>			
		<p>21810</p>	<p>21810</p>			