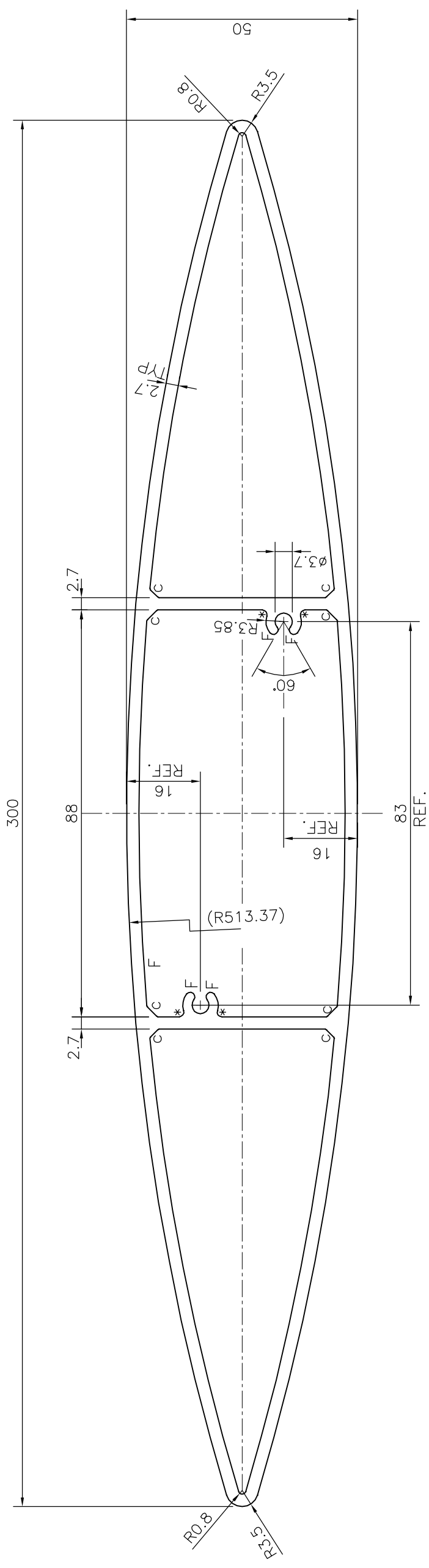


P-18995


21834



F = FULL RADIUS (4 PLACES)
 * = 1.0 RADIUS (4 PLACES)
 c = CHAMFER 2x45° (8 PLACES)

TOLERANCES ON OVERALL DIMENSIONS OF HOLLOW SECTIONS

UPTO 20.0mm - ±0.30	UPTO 80.0mm - ±0.70	UPTO 180.0mm - ±1.27	1. STRAIGHTNESS=1.7mm/M
UPTO 30.0mm - ±0.38	UPTO 100.0mm - ±0.80	UPTO 200.0mm - ±1.40	2. TWIST=1.7mm/M
UPTO 40.0mm - ±0.45	UPTO 120.0mm - ±0.90	UPTO 225.0mm - ±1.52	3. ANGULARITY= ±2°
UPTO 50.0mm - ±0.52	UPTO 140.0mm - ±1.00		4. FLATNESS =0.006xWIDTH
UPTO 60.0mm - ±0.60	UPTO 160.0mm - ±1.14		

 SYMBOL OF QUALITY AN ISO 9001 COMPANY	JINDAL ALUMINIUM LTD. BANGALORE-560073 (INDIA)		DRAWN J.P.KAUSHIK 03-01-2019	NAME J.P.KAUSHIK	DATE 03-01-2019
			CHECKED		
			APPROVED B.NATARAJA 10-01-2019	APPROVED B.NATARAJA 10-01-2019	SCALE 1:1
1. ALL DIMENSIONS ARE IN mm. 2. ROUND OFF ALL SHARP CORNERS WITH 0.40 mm. 3. TOLERANCES WILL BE AS PER IS:6477-1983 UNLESS OTHERWISE SPECIFIED			AREA mm ² 1925.527	PERIMETER mm. 616.369	
PARTY'S NAME GENERAL CATEGORY, (AHMEDABAD)			WEIGHT kg/m 5.199	DRAWING No. SECTION No.	
PARTY'S DRAWING No. AS PER DRAWING			P-18995 -		
ALLOY & TEMPER HE9 WP			21834 21834		
DESCRIPTION LOUVER SECTION					