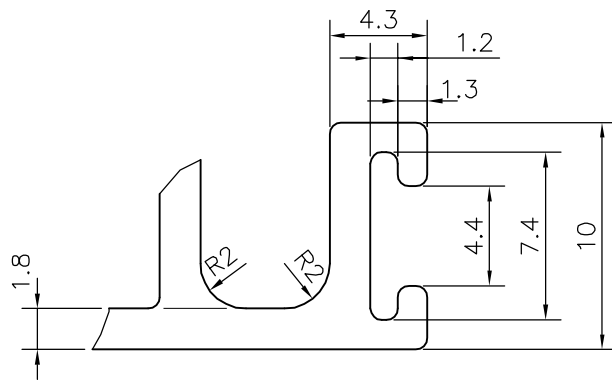
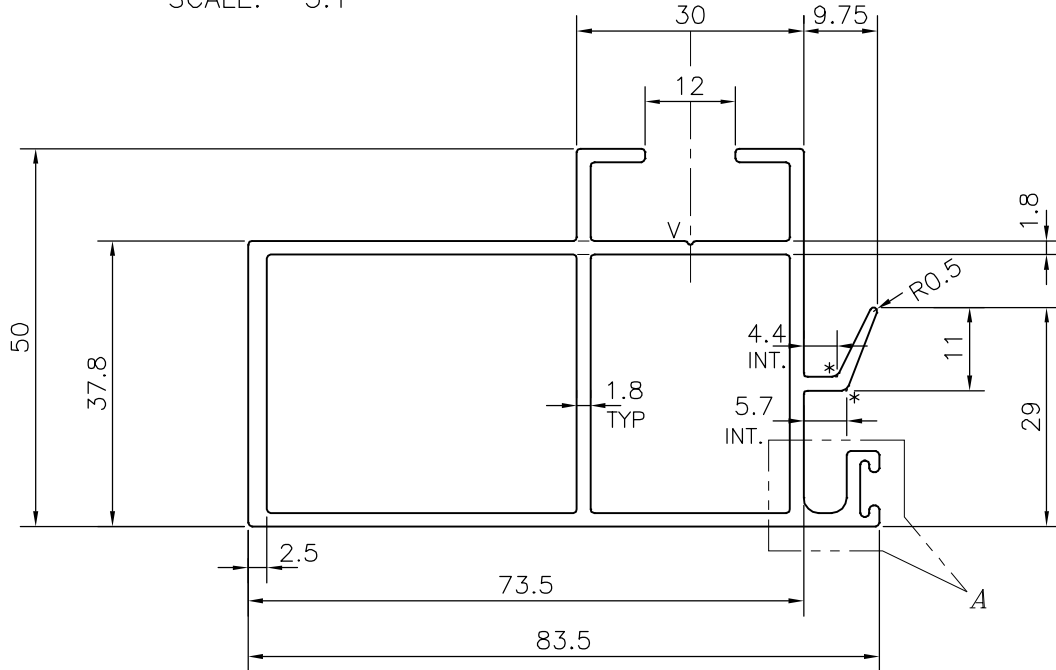


P-16476
S5192
21844




DETAIL OF "A"  
SCALE:- 3:1



V = V GROOVE 0.5x90° (ONE PLACE)  
\* = 1.0 RADIUS (2 PLACES)

TOLERANCES ON OVERALL WIDTHS & WIDTHS ACROSS FLATS OF BARS, & REGULAR SECTIONS

UPTO 6.40mm - ±0.20	UPTO 32.0mm - ±0.38	UPTO 120.0mm - ±0.85	UPTO 320.00mm - ±1.70
UPTO 10.0mm - ±0.23	UPTO 50.0mm - ±0.46	UPTO 160.0mm - ±1.02	
UPTO 12.0mm - ±0.25	UPTO 60.0mm - ±0.53	UPTO 200.0mm - ±1.14	
UPTO 16.0mm - ±0.28	UPTO 80.0mm - ±0.69	UPTO 250.0mm - ±1.40	
UPTO 25.0mm - ±0.30	UPTO 100.0mm - ±0.75	UPTO 300.0mm - ±1.65	

 SYMBOL OF QUALITY AN ISO 9001 COMPANY	<b>JINDAL ALUMINIUM LTD.</b> BANGALORE-560073 (INDIA)	DRAWN	NAME	DATE
		CHECKED	J.P.KAUSHIK	22-10-2016
1. ALL DIMENSIONS ARE IN mm. 2. ROUND OFF ALL SHARP CORNERS WITH 0.50 mm. 3. TOLERANCES WILL BE AS PER,IS:6477-1983 UNLESS OTHERWISE SPECIFIED		APPROVED	B.NATARAJ	30-11-2016
		SCALE		1:1
PARTY'S NAME NSD GLASS LTD., MUMBAI		AREA mm <sup>2</sup>		607.999
		PERIMETER mm.		371.198
PARTY'S DRAWING No. AS PER AutoCAD DRAWING		WEIGHT kg/m		1.642
		DRAWING No.	SECTION No.	
ALLOY & TEMPER HE9 WP		P-16476	-	
		S5192	S5192	
DESCRIPTION WINDOW SECTION		21844	21844	