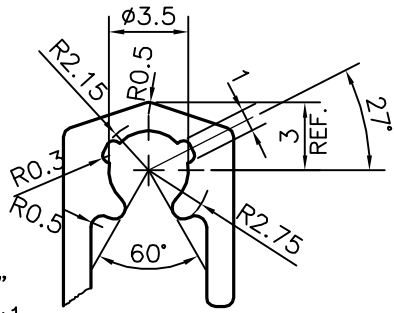
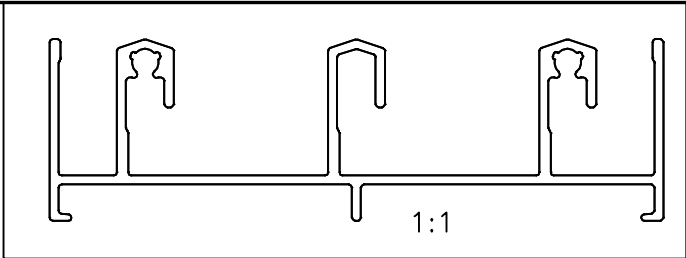
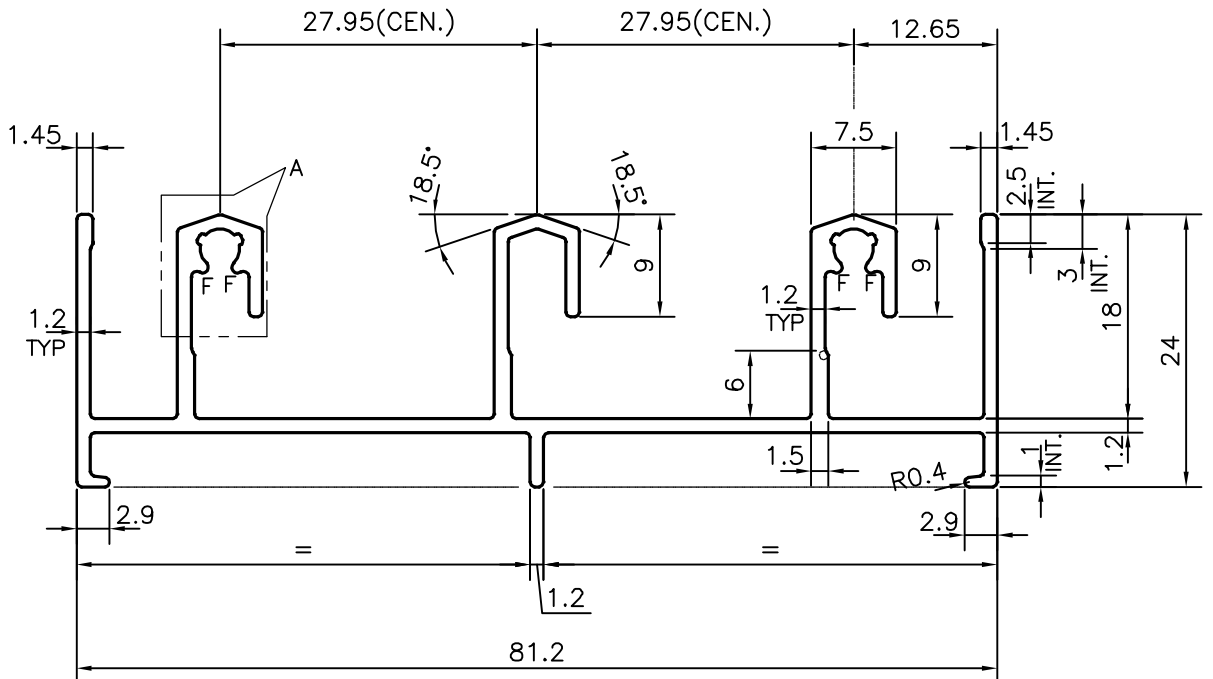


P-17340
S5462
21903



DETAIL "A"
SCALE 3:1




Q01111

F = FULL RADIUS (4 PLACES)

TOLERANCES ON OVERALL WIDTHS & WIDTHS ACROSS FLATS OF BARS, & REGULAR SECTIONS

UPTO 6.40mm - ±0.20	UPTO 32.0mm - ±0.38	UPTO 120.0mm - ±0.85	UPTO 320.00mm - ±1.70
UPTO 10.0mm - ±0.23	UPTO 50.0mm - ±0.46	UPTO 160.0mm - ±1.02	
UPTO 12.0mm - ±0.25	UPTO 60.0mm - ±0.53	UPTO 200.0mm - ±1.14	
UPTO 16.0mm - ±0.28	UPTO 80.0mm - ±0.69	UPTO 250.0mm - ±1.40	
UPTO 25.0mm - ±0.30	UPTO 100.0mm - ±0.75	UPTO 300.0mm - ±1.65	

 SYMBOL OF QUALITY AN ISO 9001 COMPANY	JINDAL ALUMINIUM LTD. BANGALORE-560073 (INDIA)	DRAWN	J.P.KAUSHIK	DATE	20-07-2017
		CHECKED			
1. ALL DIMENSIONS ARE IN mm. 2. ROUND OFF ALL SHARP CORNERS WITH 0.40 mm. 3. TOLERANCES WILL BE AS PER,IS:3965-1981 UNLESS OTHERWISE SPECIFIED		APPROVED	B.NATARAJA		28-06-2017
		SCALE			1.5:1
PARTY'S NAME EASY WINDOW SYSTEMS, BANASKANTHA		AREA	mm ²		288.778
		PERIMETER	mm.		452.99
PARTY'S DRAWING No. VWNT0-2201-MV01-3-TRACK TOP & BOTTOM		WEIGHT	kg/m		0.780
		DRAWING No.		SECTION No.	
ALLOY & TEMPER 6063 T6		P-17340			
		S5462			S5462
DESCRIPTION WINDOW SECTION-3-TRACK TOP & BOTTOM		21903			21903