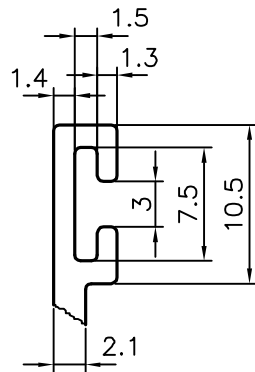


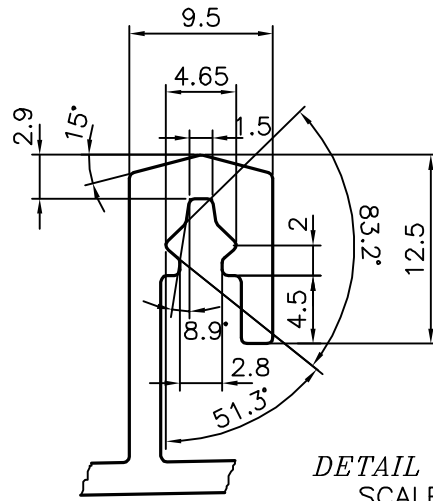
P-17468

X2262

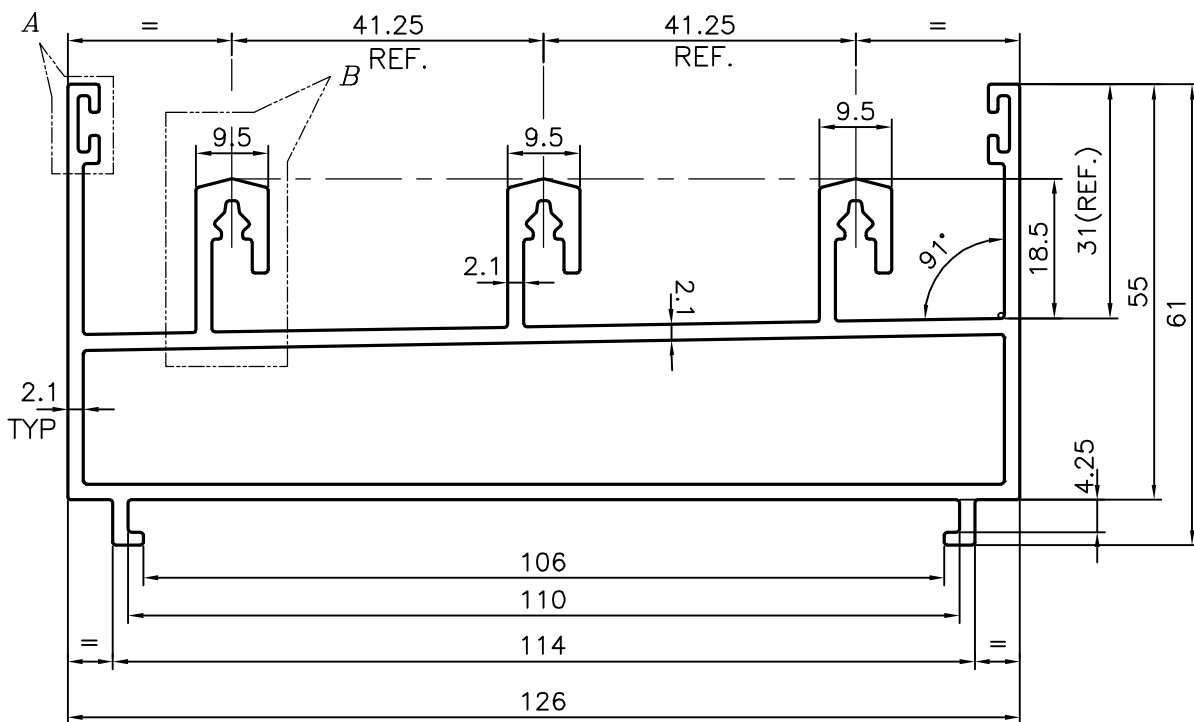
21913



DETAIL OF "A"
SCALE 2:1



DETAIL OF "B"
SCALE 2:1



TOLERANCES ON OVERALL DIMENSIONS OF HOLLOW SECTIONS

| | | | |
|---------------------|----------------------|----------------------|---|
| UPTO 20.0mm - ±0.30 | UPTO 80.0mm - ±0.70 | UPTO 180.0mm - ±1.27 | 1. STRAIGHTNESS=1.7mm/M 2. TWIST=1.7mm/M 3. ANGULARITY= ±2° 4. FLATNESS =0.006xWIDTH |
| UPTO 30.0mm - ±0.38 | UPTO 100.0mm - ±0.80 | UPTO 200.0mm - ±1.40 | |
| UPTO 40.0mm - ±0.45 | UPTO 120.0mm - ±0.90 | UPTO 225.0mm - ±1.52 | |
| UPTO 50.0mm - ±0.52 | UPTO 140.0mm - ±1.00 | | |
| UPTO 60.0mm - ±0.60 | UPTO 160.0mm - ±1.14 | | |



SYMBOL OF QUALITY
AN ISO 9001 COMPANY

JINDAL ALUMINIUM LTD.
BANGALORE-560073 (INDIA)

| | NAME | DATE |
|----------------------|-------------|------------|
| DRAWN | J.P.KAUSHIK | 25-10-2017 |
| CHECKED | | |
| APPROVED | B.NATARAJA | 26-10-2017 |
| SCALE | | 1:1 |
| AREA mm ² | | 1055.431 |
| PERIMETER mm. | | 698.382 |
| WEIGHT kg/m | | 2.850 |
| DRAWING No. | SECTION No. | |
| P-17468 | - | |
| X2262 | X2262 | |
| 21913 | 21913 | |

1. ALL DIMENSIONS ARE IN mm.
2. ROUND OFF ALL SHARP CORNERS WITH 0.40 mm.
3. TOLERANCES WILL BE AS PER IS:6477-1983 , UNLESS OTHERWISE SPECIFIED

| | |
|---------------------|---|
| PARTY'S NAME | HATIM GLAZING & CLADDING PVT. LTD.,MUMBAI |
| PARTY'S DRAWING No. | AS PER DRAWING |
| ALLOY & TEMPER | 6063 T6 |
| DESCRIPTION | 3 TRACK VERTICAL & TOP PROFILE |