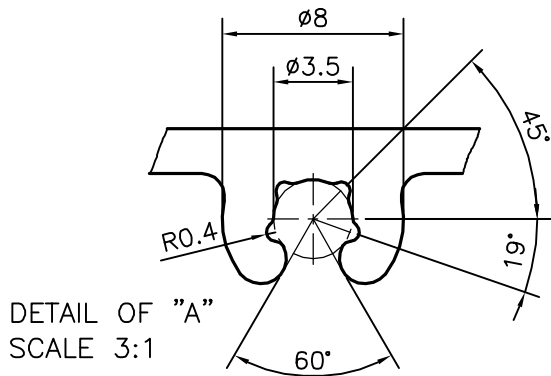
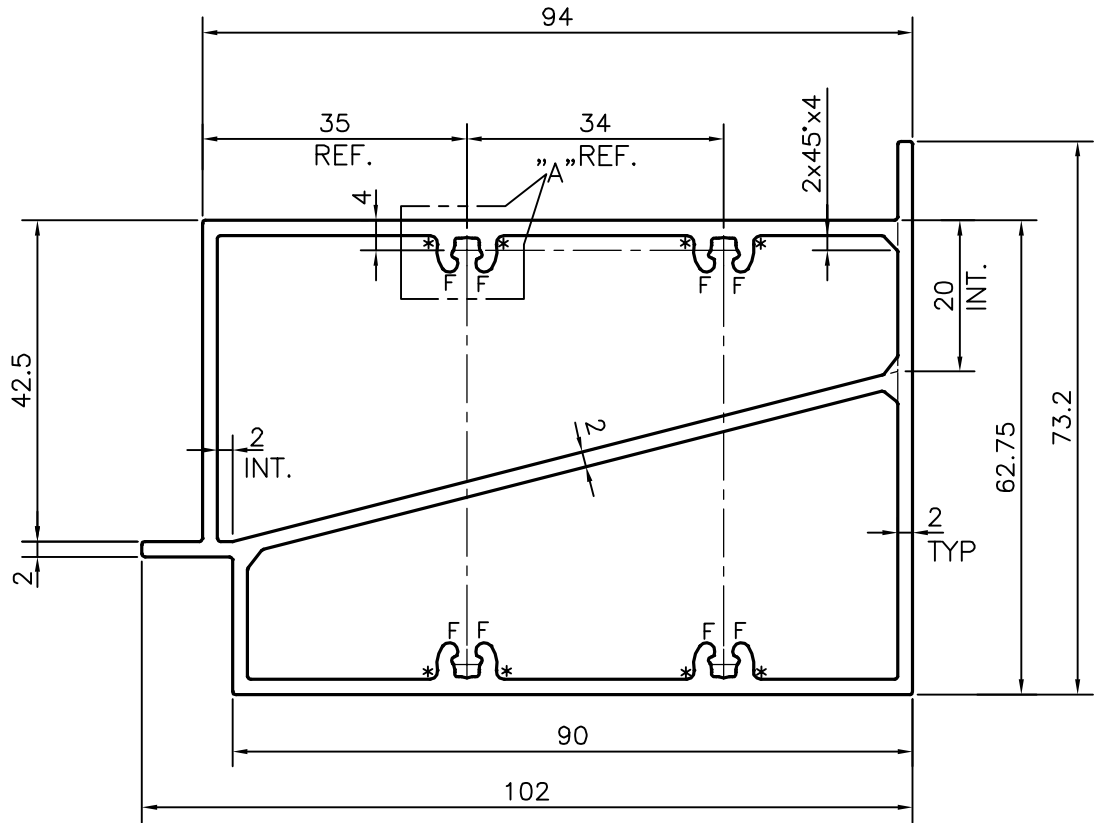


P-17654
X2281
21926




DETAIL OF "A"
SCALE 3:1

F = FULL RADIUS (8 PLACES)
* = 1.0 RADIUS (8 PLACES)

TOLERANCES ON OVERALL WIDTHS & WIDTHS ACROSS FLATS OF BARS, & REGULAR SECTIONS

UPTO 6.40mm - ±0.20	UPTO 32.0mm - ±0.38	UPTO 120.0mm - ±0.85	UPTO 320.00mm - ±1.70
UPTO 10.0mm - ±0.23	UPTO 50.0mm - ±0.46	UPTO 160.0mm - ±1.02	
UPTO 12.0mm - ±0.25	UPTO 60.0mm - ±0.53	UPTO 200.0mm - ±1.14	
UPTO 16.0mm - ±0.28	UPTO 80.0mm - ±0.69	UPTO 250.0mm - ±1.40	
UPTO 25.0mm - ±0.30	UPTO 100.0mm - ±0.75	UPTO 300.0mm - ±1.65	

 SYMBOL OF QUALITY AN ISO 9001 COMPANY	JINDAL ALUMINIUM LTD. BANGALORE-560073 (INDIA)	DRAWN	J.P.KAUSHIK	15-11-2017
		CHECKED		
		APPROVED	B.NATARAJA	30-11-2017
1. ALL DIMENSIONS ARE IN mm. 2. ROUND OFF ALL SHARP CORNERS WITH 0.40 mm. 3. TOLERANCES WILL BE AS PER,IS:6477-1983 UNLESS OTHERWISE SPECIFIED		SCALE	1:1	
		AREA mm ²	923.927	
		PERIMETER mm.	348.683	
		WEIGHT kg/m	2.495	
PARTY'S NAME	HATIM GLAZING & CLADDING PVT. LTD., MUMBAI	DRAWING No.	SECTION No.	
PARTY'S DRAWING No.	AS PER AutoCAD DRAWING	P-17654	-	
ALLOY & TEMPER	6063 T6	X2281	X2281	
		21926	21926	
DESCRIPTION	WINDOW SECTION			